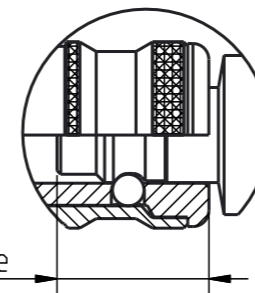
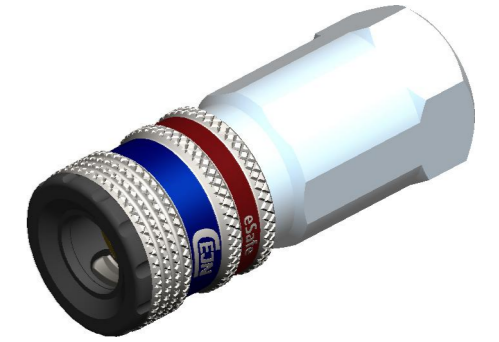
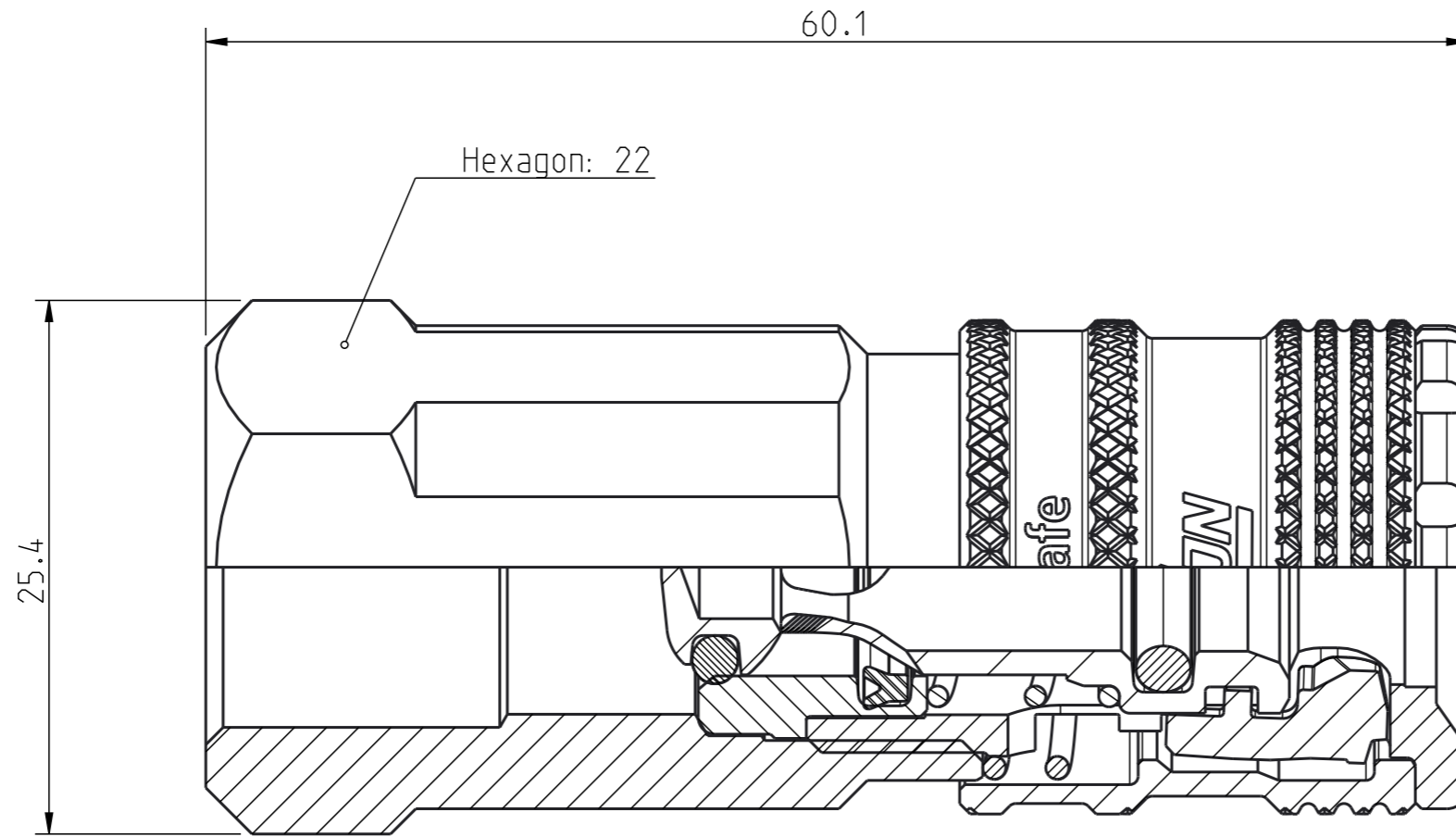
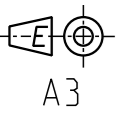


Diese Zeichnung darf weder ganz noch teilweise ohne unsere ausdrückliche Genehmigung kopiert oder auf andere Weise vervielfältigt werden. Alle Rechte vorbehalten.

Denna handling får ej utan vårt medgivande delges annan, kopieras eller eljest obehörigen användas. Överräkelse härvid beivras med stöd av gällande lag. This document must not be copied, either completely or in part, without permission. Any infringement will have legal consequences.



Connection stroke

Product no: 10_300_2204

DN: 5.5 mm
 Connection stroke: 21.8 mm
 Max WP connected: 16 bar
 Min BP connected: 64 bar
 Temperature range: 100 °C - -20 °C
 Connection: G 3/8" female
 Sealing material: NBR

11	1	Valve seat	Brass
10	1	Valve	Brass
9	1	Spring	Stainless steel
8	1	Spring	Stainless steel
7	1	O-ring	NBR
6	1	O-ring	NBR
5	1	Locking sleeve	Hard. steel, Zn 8 Silver
4	1	Lip seal	NBR
3	2	Hook	Hard. Steel, Zn-Ni 8 transp.
2	1	Front part	Hard. Steel, Zn-Ni 10 black
1	1	Back part	Steel, Zn 8 Silver

Detalj Item	Antal Quant.	Benämning Description	Material Material
Skala Scale		3:1	Ritad Drawn
Godk. Appr.		OG	AM nr. Alt. no. 9060
Kontroll Checked		JOOL	Dat. Date 2-12-18
Ritning nr./Drawing No.			Utg./Issue
50_300_2204			X1



Assembly drawing

50_300_2204

X1