

MURRAY

MURRAY CORPORATION Clamping Solutions

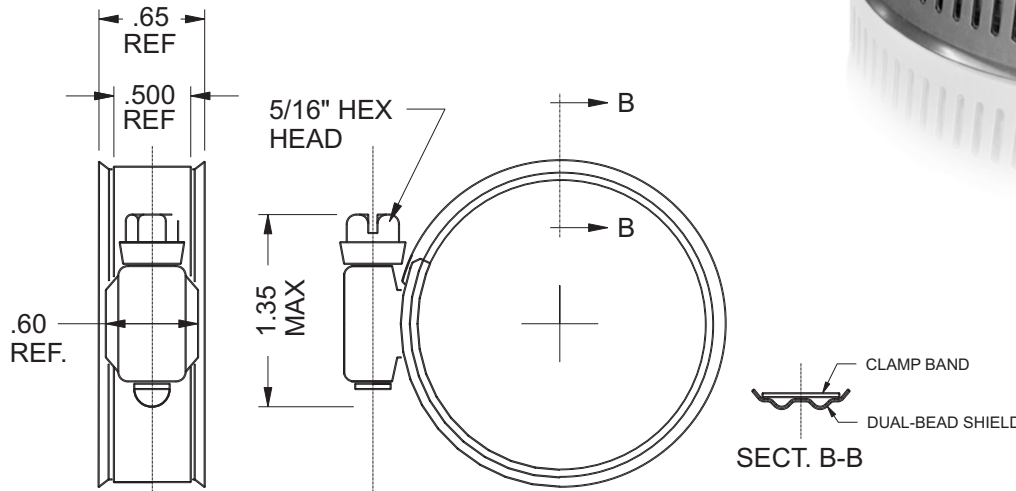
Dual Bead Super Sealing Clamp - SAE Type "F"

Murray Corporation precision-engineered specialty clamps for various applications. OEM quantities are available directly from Murray.

For air - air & coolant systems. The inner shield provides superb sealing characteristics and is safe for all soft hoses. It can also be found in the marine, agriculture, construction and off-highway markets.



Patented Product



Rated Ultimate Torque:

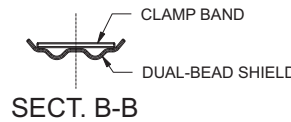
Carbon Screw 50in.lbs. min. (5.6Nm)

SS Screw 60in.lbs. min. (6.8Nm)

Recommended Installation Torque:

Carbon Screw 30-40in.lbs. (3.4 - 4.5Nm)

SS Screw 35-45in.lbs. (4.0 - 5.1Nm)



| Plated Screws | Part Number | | "A" Diameter Range | | | | | |
|------------------|---------------------|---------------------|--------------------|------|---------|-------|-------------|-------|
| | "400" Series | "300" Series | Decimals | | Inches | | Millimeters | |
| | Stainless Screws | Stainless Screws | Min. | Max. | Min. | Max. | Min. | Max. |
| DB 16 | DB 16SS | DB 16SS305 | 0.63 | 1.38 | 5/8 | 1-3/8 | 15.9 | 34.9 |
| DB 20 | DB 20SS | DB 20SS305 | 0.69 | 1.63 | 11/16 | 1-5/8 | 17.5 | 41.4 |
| DB 24 | DB 24SS | DB 24SS305 | 0.94 | 1.88 | 15/16 | 1-7/8 | 23.8 | 47.6 |
| DB 28 | DB 28SS | DB 28SS305 | 1.19 | 2.13 | 1-3/16 | 2-1/8 | 30.2 | 54.0 |
| DB 32 | DB 32SS | DB 32SS305 | 1.44 | 2.38 | 1-7/16 | 2-3/8 | 36.5 | 60.3 |
| DB 36 | DB 36SS | DB 36SS305 | 1.69 | 2.63 | 1-11/16 | 2-5/8 | 42.9 | 66.7 |
| DB 40 | DB 40SS | DB 40SS305 | 1.94 | 2.88 | 1-15/16 | 2-7/8 | 49.2 | 73.0 |
| DB 44 | DB 44SS | DB 44SS305 | 2.19 | 3.13 | 2-3/16 | 3-1/8 | 55.6 | 79.4 |
| DB 48 | DB 48SS | DB 48SS305 | 2.44 | 3.38 | 2-7/16 | 3-3/8 | 61.9 | 85.7 |
| DB 52 | DB 52SS | DB 52SS305 | 2.69 | 3.63 | 2-11/16 | 3-5/8 | 68.3 | 92.1 |
| DB 56 | DB 56SS | DB 56SS305 | 2.94 | 3.88 | 2-15/16 | 3-7/8 | 74.6 | 98.4 |
| DB 60 | DB 60SS | DB 60SS305 | 3.19 | 4.13 | 3-3/16 | 4-1/8 | 81.0 | 104.8 |
| DB 64 | DB 64SS | DB 64SS305 | 3.44 | 4.38 | 3-7/16 | 4-3/8 | 87.3 | 111.1 |
| DB 72 | DB 72SS | DB 72SS305 | 3.94 | 4.88 | 3-15/16 | 4-7/8 | 100.0 | 123.8 |
| DB 80* | DB 80SS | DB 80SS305 | 4.44 | 5.38 | 4-7/16 | 5-3/8 | 112.7 | 136.5 |
| DB 88* | DB 88SS | DB 88SS305 | 4.94 | 5.88 | 4-15/16 | 5-7/8 | 125.4 | 149.2 |
| DB 96 | DB 96SS | DB 96SS305 | 5.44 | 6.38 | 5-7/16 | 6-3/8 | 138.1 | 161.9 |
| DB 104 | DB 104SS | DB 104SS305 | 5.94 | 6.88 | 5-15/16 | 6-7/8 | 150.8 | 174.7 |
| DB 116 | DB 116SS | DB 116SS305 | 6.38 | 7.63 | 6-3/8 | 7-5/8 | 161.9 | 193.7 |



Other sizes available upon request. Available in packed and bulk stock. Other packaging configurations available.

*Items not stocked. Special order only.



260 Schilling Circle
Hunt Valley, MD, 21031, USA

Ph: 410-771-0380 • Fax: 410-771-5576

www.murraycorp.com • email: sales@murraycorp.com