



Watch video



JWL Air Boy® eXact

Digital Inflator. Designed for high precision, durability and optimum ergonomics.

The completely newly developed Air Boy® eXact digital inflator is the latest addition to the line of quality products from JWL. The inflator has been completely newly developed with precision, durability and ergonomics in mind. The design is sharp and the properties are thoroughly thought out – so with Air Boy® eXact you get the most optimal inflator.

Accurate › Air Boy® eXact

The high reading accuracy – 0.01 bar combined with the airtight QT-Connector™ makes the Air Boy® eXact the perfect choice for inflating tires with TMPS valves. To ensure the highest precision every time a measurement is made, the pressure sensor is auto-calibrated after each use.

Durable › Air Boy® eXact

The electronics are protected against impact and the strong construction withstands a free fall from a height of even 2 meters onto a concrete floor. The construction is so tight in relation to water and dust that it has an IP65 rating and can cope with significantly more.

Thoroughly tested › Air Boy® eXact

Air Boy® eXact has been thoroughly tested and approved by the independent testing institute Force Technology. The result was significantly better than the strict DS/EN 12645:2014 standard for digital inflators.

Ergonomic › Air Boy® eXact

The display is easy to read with large digits and backlighting. Optimal in both left and right hands. It is designed as light as possible to reduce workload. Air Boy® eXact is easy to hang from you with the built-in “eye” – although it becomes difficult once you have put it into use...

Calibrated › Air Boy® eXact

All inflators are individually tested and supplied with a calibration certificate. Air Boy® eXact measures tire pressure on a scale of 0.2 to 10 bar with a resolution of 0.01 bar.

Dedicated › Air Boy® eXact

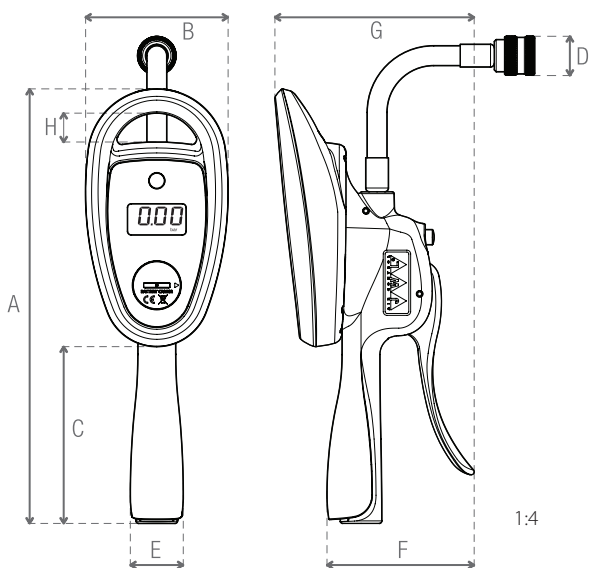
In addition to the standard version of the Air Boy® eXact with 0.5m hose and QT-Connector™, it is available in many variants with different hose lengths and valve connections.



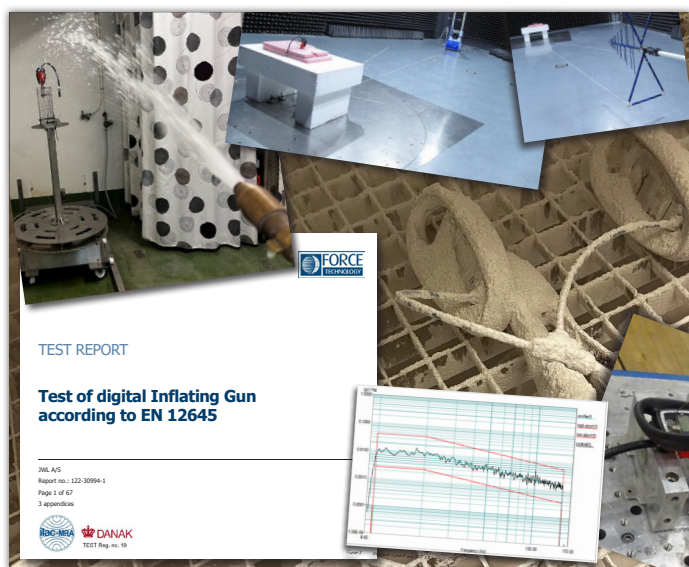
Made in Denmark

www.jwl.dk

Dimensions



A	229.9 mm	C	93.5 mm	E	28 mm	G	105.4 mm
B	75.4 mm	D	∅ 20.5 mm	F	77.9 mm	H	15.3 mm



Technical specifications

Measurement accuracy	0.2 - 10 bar / 2.9 - 145 psi
Reading accuracy	DS/EN 12645:2014
Reading accuracy	± 0.01 bar / ± 0.1 psi
Units of measurement	bar / psi / kPa / kg/cm ²
Working temperature	-10°C to +40°C / 14°F to 104°F
Storage temperature	-40°C to +70°C / -40°F to 158°F
Max connection pressure	12 bar / 174 psi
Airflow (at 8 bar)	500 l/min / 17.7 CFM
Air connection	G 1/4" internal BSPT thread
Tire connection	QT Connector™ / Clip-on chuck / Dual-foot chuck
Hose lengths	0.5m / 1.0m / 1.5m / 2.0m / 3.0m / 5.0m
Weight incl. hose (0.5m) / Weight excl. Hose	357g / 268g
Battery type	CR2032 (button cell), 1 pc.
IP class	IP65

Approvals

CE	Yes
Product safety	GPSD Directive, 2001/95/EC
Materials	RoHS, Reach, Prop65: OK
Electromagnetic compatibility	EMC Directive, 2014/30/EC, FCC
Environment	WEEE Directive, 2012/19/EC
Standard	DS/EN 12645:2014

This product is type-approved and accredited by the Danish institute Force Technology, certification no. 122-30994-A1, dated 20/02/2023

Materials

Handle, trigger, valve, battery cover & QT parts	POM (acetal plastic)
Rubbershell	TPE plastic
Gaskets / O-rings	Nitrile rubber
Axles	Steel el. galv.
Spring	Hardened springwire
Metal parts	Sulfur alloy automatic steel
Display glass	PC
Display foil	LDPE / PE
Electronics	RoHS certified

Variants	QT Connector™ (1)	Clip-on chuck (2)	Dual-foot chuck (3)
0.5m hose	156100-134	156110-134	156130-134
1.0m hose	156101-134	156111-134	156131-134
1.5m hose	156102-134	156112-134	156132-134
2.0m hose	156103-134	156113-134	156133-134
3.0m hose	156104-134	156114-134	156134-134
5.0m hose	156105-134	156115-134	156135-134

QT Connector™



Clip-on chuck



Dual-foot chuck

