



# rtc<sup>®</sup>

QUICK CONNECT TECHNOLOGY  
[www.rtc-tec.com](http://www.rtc-tec.com)



## M099

rtc TYPE

rtc Multicoupling systems  
rtc Multikupplungssysteme type M099



rtc Multicoupling systems / rtc Multikupplungssysteme type M101



Type	Max. Working Pressure Max. Betriebsdruck	Flow size Nennweite	Connections Anschlüsse	Circuits Kreislauf
rtc M099.09	16 bar	09	6 / 8 / 10 / 12 / 16 / 20 / 24	3 / 4 / 5 / 6 / 8 / 10 / 12
<p>Temperature Range - Temperaturbereich</p> <p>For oil / bei Öl -10°C +200°C (+14°F +392°F) FPM (V)</p> <p>For water / bei Wasser -10°C +160°C (+14°F +320°F) FPM (V)</p>				



**Specification**

Connecting and disconnecting the circuits in one operation for quick mold change

Colour coded plates for circuit definition

**Eigenschaften**

Verbinden und Trennen von mehreren Kreisläufen in einem Arbeitsgang für das schnelle Rüsten

Kennzeichnung von Zu- und Rücklauf durch farbige Platten

**Applications**

Aluminium die casting

Test units

Plastics industry / cooling heating

**Anwendungen**

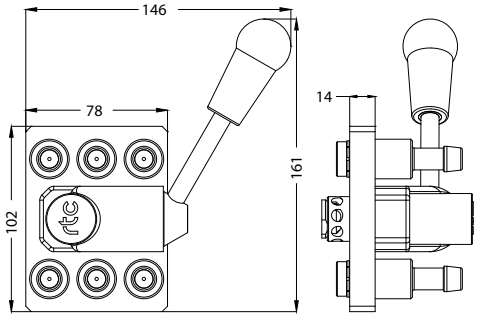
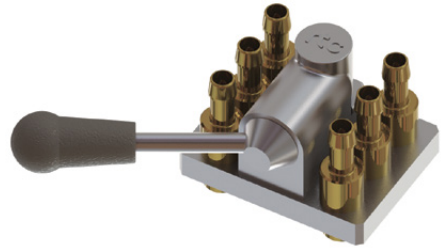
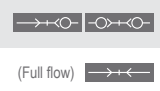
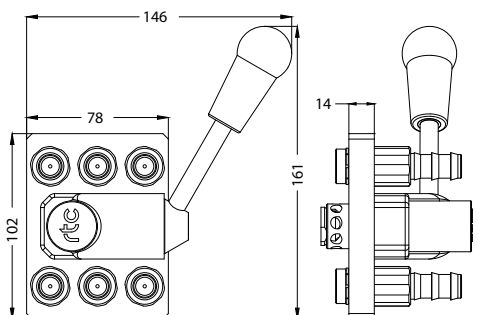
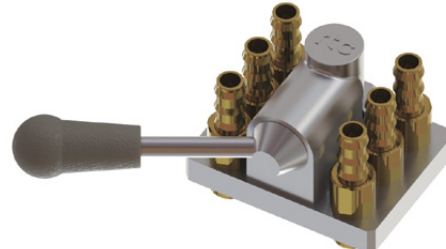
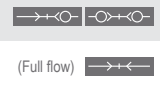
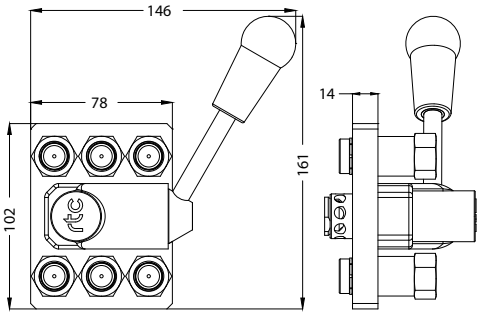
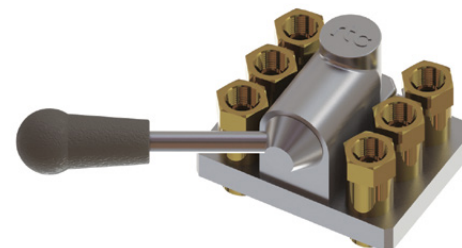
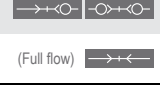
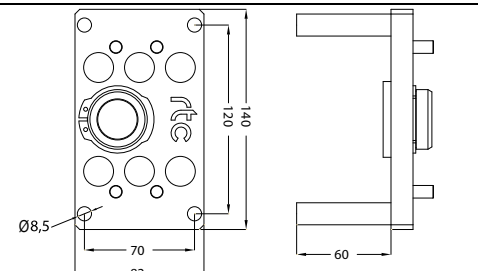
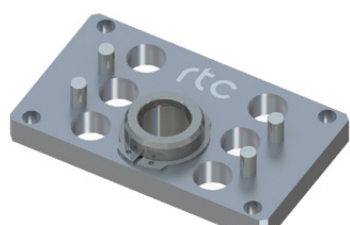
Aluminiumdruckguß

Prüfstände

Kunststoffindustrie / Mehrkreistemperierung / kühlen temperieren

**rtc** TYPE M 099.09

Flow diameter 9 mm / Nennweite 9 mm

TYPE M 099.09	Mobile side / Versorgerseite	Item code / Artikelnummer	
<p>3 ↔ 3</p> 	<p>Standard hose Schlauchanschluss</p> 		<p>Ø10 M 099.09-06 SHB 10          Ø12 M 099.09-06 SHB 12          Ø10 M 099.09-06 SHF 10          Ø12 M 099.09-06 SHF 12</p>
<p>3 ↔ 3</p> 	<p>Push to connect Steckschlauchanschluss</p> 		<p>Ø10 M 099.09-06 SPB 10          Ø13 M 099.09-06 SPB 13          Ø10 M 099.09-06 SPF 10          Ø13 M 099.09-06 SPF 13</p>
<p>3 ↔ 3</p> 	<p>Female thread Innengewinde</p> 		<p>BSP 3/8 M 099.09-06 SFB 17          NPT 3/8 M 099.09-06 SNB 17          BSP 3/8 M 099.09-06 SFF 17          NPT 3/8 M 099.09-06 SNF 17</p>
TYPE K 099.09	Mould side / Abnehmerseite	Item code / Artikelnummer	
<p>3 ↔ 3</p> 	<p>Plate for 6 lines / Platte für 6 Anschlüsse</p> 	<p>K 099.09-06</p>	

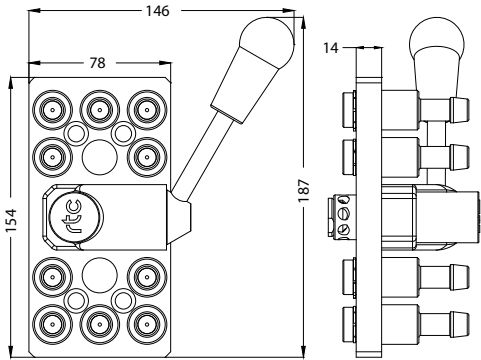
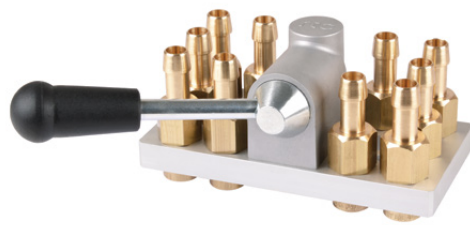


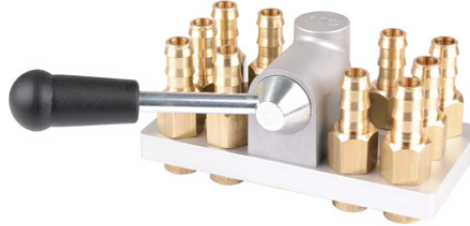





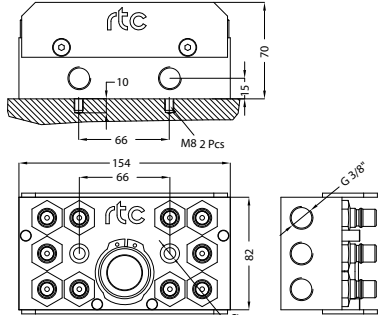



Flow diameter 9 mm / Nennweite 9 mm

TYPE M 099.09 **rtc**

TYPE M 099.09	Mobile side / Versorgerseite	Item code / Artikelnummer													
<p>4 ↔ 4</p>		<p>Standard hose Schlauchanschluss</p>	<table border="1"> <tr> <td>→↔←</td> <td>Ø10</td> <td>M 099.09-08 SHB 10</td> </tr> <tr> <td>→↔←</td> <td>Ø12</td> <td>M 099.09-08 SHB 12</td> </tr> <tr> <td>(Full flow) →↔←</td> <td>Ø10</td> <td>M 099.09-08 SHF 10</td> </tr> <tr> <td>(Full flow) →↔←</td> <td>Ø12</td> <td>M 099.09-08 SHF 12</td> </tr> </table>	→↔←	Ø10	M 099.09-08 SHB 10	→↔←	Ø12	M 099.09-08 SHB 12	(Full flow) →↔←	Ø10	M 099.09-08 SHF 10	(Full flow) →↔←	Ø12	M 099.09-08 SHF 12
	→↔←	Ø10	M 099.09-08 SHB 10												
	→↔←	Ø12	M 099.09-08 SHB 12												
(Full flow) →↔←	Ø10	M 099.09-08 SHF 10													
(Full flow) →↔←	Ø12	M 099.09-08 SHF 12													
	<p>Push to connect Steckschlauchanschluss</p>	<table border="1"> <tr> <td>→↔←</td> <td>Ø10</td> <td>M 099.09-08 SPB 10</td> </tr> <tr> <td>→↔←</td> <td>Ø13</td> <td>M 099.09-08 SPB 13</td> </tr> <tr> <td>(Full flow) →↔←</td> <td>Ø10</td> <td>M 099.09-08 SPF 10</td> </tr> <tr> <td>(Full flow) →↔←</td> <td>Ø13</td> <td>M 099.09-08 SPF 13</td> </tr> </table>	→↔←	Ø10	M 099.09-08 SPB 10	→↔←	Ø13	M 099.09-08 SPB 13	(Full flow) →↔←	Ø10	M 099.09-08 SPF 10	(Full flow) →↔←	Ø13	M 099.09-08 SPF 13	
→↔←	Ø10	M 099.09-08 SPB 10													
→↔←	Ø13	M 099.09-08 SPB 13													
(Full flow) →↔←	Ø10	M 099.09-08 SPF 10													
(Full flow) →↔←	Ø13	M 099.09-08 SPF 13													
	<p>Female thread Innengewinde</p>	<table border="1"> <tr> <td>→↔←</td> <td>BSP 3/8</td> <td>M 099.09-08 SFB 17</td> </tr> <tr> <td>→↔←</td> <td>NPT 3/8</td> <td>M 099.09-08 SNB 17</td> </tr> <tr> <td>(Full flow) →↔←</td> <td>BSP 3/8</td> <td>M 099.09-08 SFF 17</td> </tr> <tr> <td>(Full flow) →↔←</td> <td>NPT 3/8</td> <td>M 099.09-08 SNF 17</td> </tr> </table>	→↔←	BSP 3/8	M 099.09-08 SFB 17	→↔←	NPT 3/8	M 099.09-08 SNB 17	(Full flow) →↔←	BSP 3/8	M 099.09-08 SFF 17	(Full flow) →↔←	NPT 3/8	M 099.09-08 SNF 17	
→↔←	BSP 3/8	M 099.09-08 SFB 17													
→↔←	NPT 3/8	M 099.09-08 SNB 17													
(Full flow) →↔←	BSP 3/8	M 099.09-08 SFF 17													
(Full flow) →↔←	NPT 3/8	M 099.09-08 SNF 17													
TYPE K 099.09	Mould side / Abnehmerseite	Item code / Artikelnummer													
<p>4 ↔ 4</p>		<p>Plate for 8 lines / Platte für 8 Anschlüsse</p>	<p>K 099.09-08</p>												

rtc TYPE M 099.09


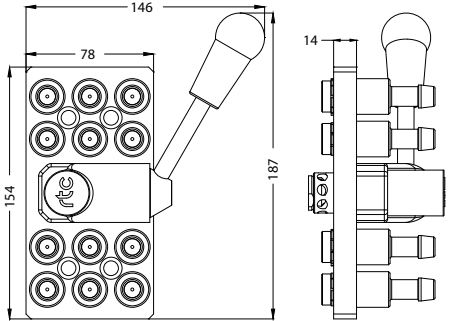
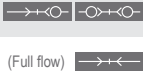
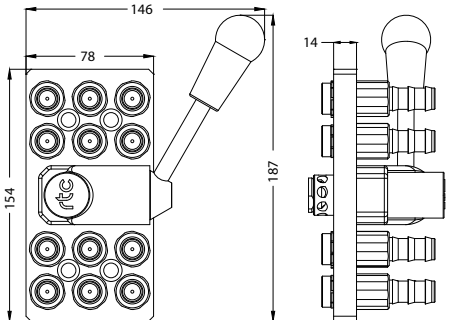
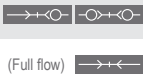
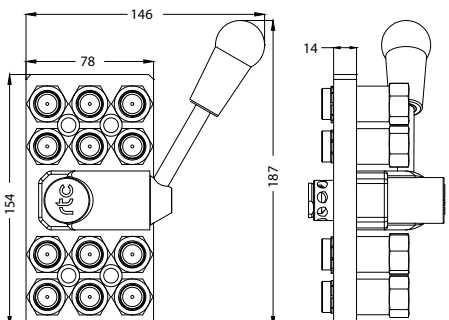

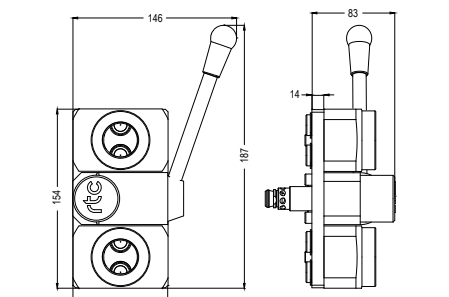

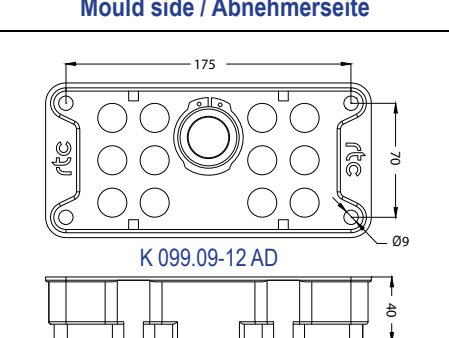

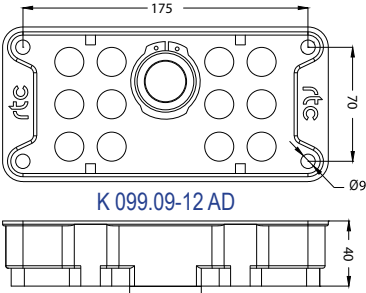
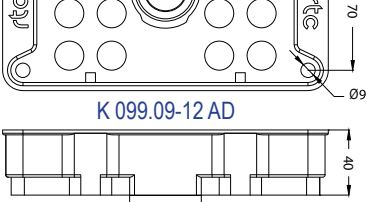

Flow diameter 9 mm / Nennweite 9 mm

TYPE M 099.09	Mobile side / Versorgerseite	Item code / Artikelnummer	
<p>5 ↔ 5</p> 	<p>Standard hose Schlauchanschluss</p> 	 <p>Ø10 Ø12</p> <p>(Full flow) </p> <p>Ø10 Ø12</p>	<p>M 099.09-10 SHB 10 M 099.09-10 SHB 12 M 099.09-10 SHF 10 M 099.09-10 SHF 12</p>
	<p>Push to connect Steckschlauchanschluss</p> 	 <p>Ø10 Ø13</p> <p>(Full flow) </p> <p>Ø10 Ø13</p>	<p>M 099.09-10 SPB 10 M 099.09-10 SPB 13 M 099.09-10 SPF 10 M 099.09-10 SPF 13</p>
	<p>Female thread Innengewinde</p> 	 <p>BSP 3/8 NPT 3/8</p> <p>(Full flow) </p> <p>BSP 3/8 NPT 3/8</p>	<p>M 099.09-10 SFB 17 M 099.09-10 SNB 17 M 099.09-10 SFF 17 M 099.09-10 SNF 17</p>
<p>5 ↔ 5</p> 	<p>Plate with 10 plugs Platte mit 10 Anschlüsse</p> 	 <p>BSP 3/8</p> <p>(Full flow) </p> <p>BSP 3/8</p>	<p>K 099.09-10 PMB 17 K 099.09-10 PMF 17</p>




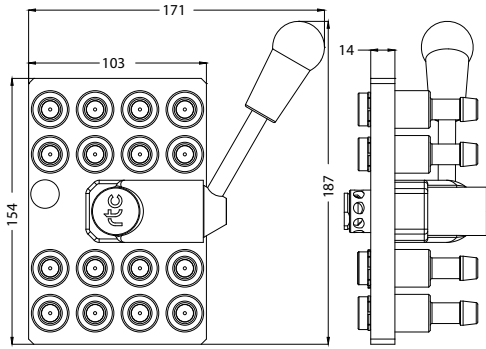









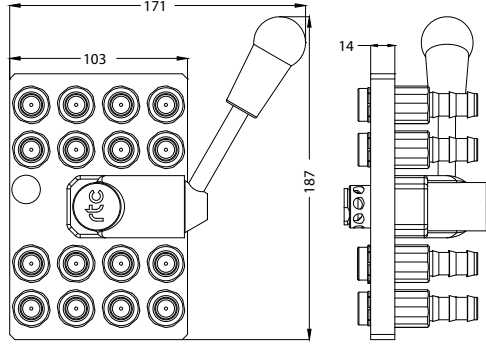









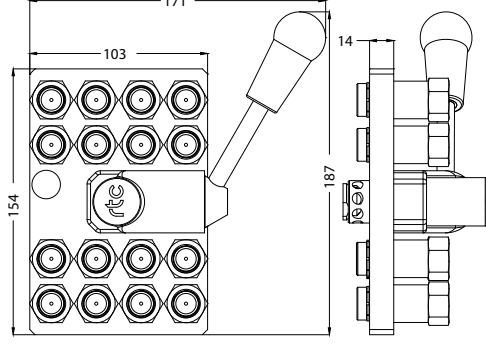


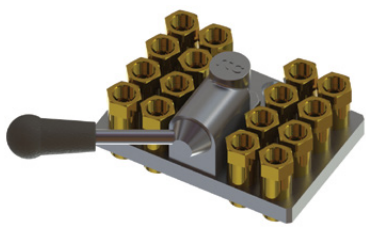


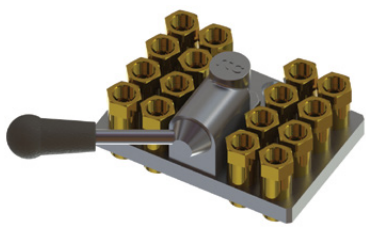


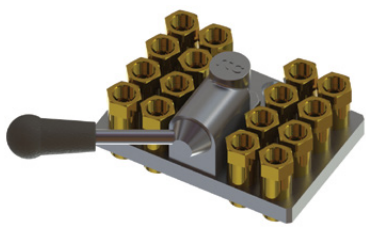

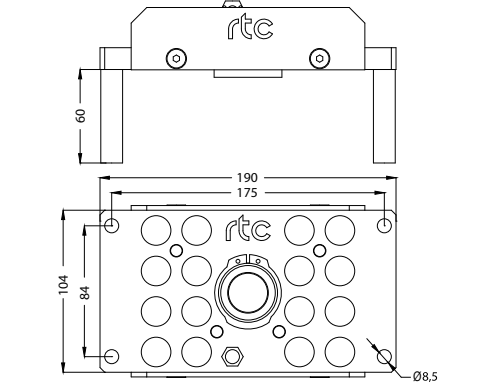



Flow diameter 9 mm / Nennweite 9 mm

TYPE M 099.09 

TYPE M 099.09	Mobile side / Versorgerseite	Item code / Artikelnummer		
		<p>Standard hose Schlauchanschluss</p>	 <p>Ø10 Ø12 Ø10 Ø12</p> <p>(Full flow)</p>	<p>M 099.09-12 SHB 10 M 099.09-12 SHB 12 M 099.09-12 SHF 10 M 099.09-12 SHF 12</p>
		<p>Push to connect Steckschlauchanschluss</p>	 <p>Ø10 Ø13 Ø10 Ø13</p> <p>(Full flow)</p>	<p>M 099.09-12 SPB 10 M 099.09-12 SPB 13 M 099.09-12 SPF 10 M 099.09-12 SPF 13</p>
		<p>Female thread Innengewinde</p>	 <p>BSP 3/8 NPT 3/8 BSP 3/8 NPT 3/8</p> <p>(Full flow)</p>	<p>M 099.09-12 SFB 17 M 099.09-12 SNB 17 M 099.09-12 SFF 17 M 099.09-12 SNF 17</p>
		<p>Female thread collector Innengewinde Sammler</p>	 <p>BSP 1 BSP 1</p>	<p>M 099.09-12 C 33 M 099.09-12 CN 33</p>
		<p>TYPE K 099.09</p>	<p>Item code / Artikelnummer</p>	
	<p>Mould side / Abnehmerseite</p>  <p>K 099.09-12 AD</p>	<p>Plate for 12 lines / Platte mit 12 Anschlüsse</p>	<p>K 099.09-12 K 099.09-12 AD</p>	
 <p>K 099.09-12</p>				

**rtc** TYPE M 099.09

Flow diameter 9 mm / Nennweite 9 mm

TYPE M 099.09	Mobile side / Versorgerseite	Item code / Artikelnummer						
		<table border="1"> <tr> <td data-bbox="766 347 997 436">Standard hose Schlauchanschluss</td> <td data-bbox="997 347 1273 436">             Ø10            Ø12            (Full flow)  </td> <td data-bbox="1273 347 1548 436">           M 099.09-16 SHB 10            M 099.09-16 SHB 12            M 099.09-16 SHF 10            M 099.09-16 SHF 12         </td> </tr> <tr> <td colspan="3" data-bbox="766 436 1548 784">  </td> </tr> </table>	Standard hose Schlauchanschluss	 Ø10 Ø12 (Full flow) 	M 099.09-16 SHB 10 M 099.09-16 SHB 12 M 099.09-16 SHF 10 M 099.09-16 SHF 12			
Standard hose Schlauchanschluss	 Ø10 Ø12 (Full flow) 	M 099.09-16 SHB 10 M 099.09-16 SHB 12 M 099.09-16 SHF 10 M 099.09-16 SHF 12						
								
		<table border="1"> <tr> <td data-bbox="766 795 997 884">Push to connect Steckschlauchanschluss</td> <td data-bbox="997 795 1273 884">             Ø10            Ø13            (Full flow)  </td> <td data-bbox="1273 795 1548 884">           M 099.09-16 SPB 10            M 099.09-16 SPB 13            M 099.09-16 SPF 10            M 099.09-16 SPF 13         </td> </tr> <tr> <td colspan="3" data-bbox="766 884 1548 1232">  </td> </tr> </table>	Push to connect Steckschlauchanschluss	 Ø10 Ø13 (Full flow) 	M 099.09-16 SPB 10 M 099.09-16 SPB 13 M 099.09-16 SPF 10 M 099.09-16 SPF 13			
Push to connect Steckschlauchanschluss	 Ø10 Ø13 (Full flow) 	M 099.09-16 SPB 10 M 099.09-16 SPB 13 M 099.09-16 SPF 10 M 099.09-16 SPF 13						
								
		<table border="1"> <tr> <td data-bbox="766 1243 997 1332">Female thread Innengewinde</td> <td data-bbox="997 1243 1273 1332">             BSP 3/8            NPT 3/8            (Full flow)  </td> <td data-bbox="1273 1243 1548 1332">           M 099.09-16 SFB 17            M 099.09-16 SNB 17            M 099.09-16 SFF 17            M 099.09-16 SNF 17         </td> </tr> <tr> <td colspan="3" data-bbox="766 1332 1548 1668">  </td> </tr> </table>	Female thread Innengewinde	 BSP 3/8 NPT 3/8 (Full flow) 	M 099.09-16 SFB 17 M 099.09-16 SNB 17 M 099.09-16 SFF 17 M 099.09-16 SNF 17			
Female thread Innengewinde	 BSP 3/8 NPT 3/8 (Full flow) 	M 099.09-16 SFB 17 M 099.09-16 SNB 17 M 099.09-16 SFF 17 M 099.09-16 SNF 17						
								
TYPE K 099.09	Mould side / Abnehmerseite	Item code / Artikelnummer						
		<table border="1"> <tr> <td data-bbox="766 1724 1273 1758">Plate for 16 lines / Platte für 16 Anschlüsse</td> <td data-bbox="1273 1724 1548 1758">K 099.09-16</td> </tr> <tr> <td colspan="2" data-bbox="766 1758 1548 2128">  </td> </tr> </table>	Plate for 16 lines / Platte für 16 Anschlüsse	K 099.09-16				
Plate for 16 lines / Platte für 16 Anschlüsse	K 099.09-16							
								

Flow diameter 9 mm / Nennweite 9 mm

TYPE M 099.09

TYPE M 099.09	Mobile side / Versorgerseite		Item code / Artikelnummer	
<p>10 ← → 10</p>		<p>Standard hose Schlauchanschluss</p>		<p>M 099.09-20 SHB 10 M 099.09-20 SHB 12 M 099.09-20 SHF 10 M 099.09-20 SHF 12</p>
		<p>Push to connect Steckschlauchanschluss</p>		<p>M 099.09-20 SPB 10 M 099.09-20 SPB 13 M 099.09-20 SPF 10 M 099.09-20 SPF 13</p>
		<p>Female thread Innengewinde</p>		<p>M 099.09-20 SFB 17 M 099.09-20 SNB 17 M 099.09-20 SFF 17 M 099.09-20 SNF 17</p>
		<p>Female thread collector Innengewinde Sammler</p>		<p>M 099.09-20 C 42 M 099.09-20 CN 42</p>
<p>10 ← → 10</p>	<p>TYPE K 099.09 Mould side / Abnehmerseite</p>		<p>Plate for 20 lines / Platte für 20 Anschlüsse</p> <p>K 099.09-20</p>	



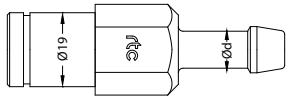


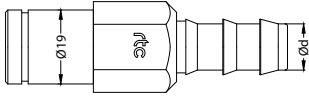


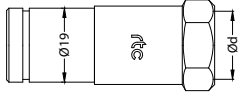


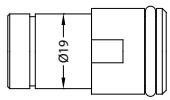

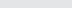
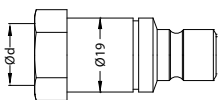


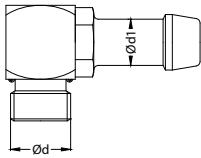
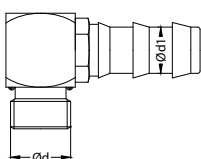
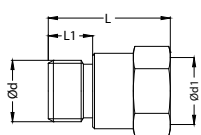
rtc TYPE M 099.09

Flow diameter 9 mm / Nennweite 9 mm

TYPE M 099.09	Mobile side / Versorgerseite	Item code / Artikelnummer		
<p>12 ↔ 12</p>		<p>Standard hose Schlauchanschluss</p>		<p>Ø10 M 099.09-24 SHB 10            Ø12 M 099.09-24 SHB 12            (Full flow) Ø10 M 099.09-24 SHF 10            Ø12 M 099.09-24 SHF 12</p>
		<p>Push to connect Steckschlauchanschluss</p>		<p>Ø10 M 099.09-24 SPB 10            Ø13 M 099.09-24 SPB 13            (Full flow) Ø10 M 099.09-24 SPF 10            Ø13 M 099.09-24 SPF 13</p>
		<p>Female thread Innengewinde</p>		<p>BSP 3/8 M 099.09-24 SFB 17            NPT 3/8 M 099.09-24 SNB 17            (Full flow) BSP 3/8 M 099.09-24 SFF 17            NPT 3/8 M 099.09-24 SNF 17</p>
		<p>Female thread collector Innengewinde Sammler</p>		<p>BSP 1-1/4 M 099.09-24 C 42            NPT 1-1/4 M 099.09-24 CN 42</p>
<p>12 ↔ 12</p>	<p>TYPE K 099.09</p> <p>Mould side / Abnehmerseite</p>	<p>Plate for 24 lines / Platte für 24 Anschlüsse</p> <p>Item code / Artikelnummer: K 099.09-24</p>		

Flow diameter 9 mm / Nennweite 9 mm

TYPE M 099.09 

TYPE M 099.09	Sockets / Kupplungen	Connection / Anschluss	Item code / Artikelnummer	
	Standard hose Schlauchanschluss	 Ø10 Ø12	M 099.09 SHB 10 M 099.09 SHB 12	
		(Full flow)  Ø10 Ø12	M 099.09 SHF 10 M 099.09 SHF 12	
		Push to connect Steckschlauchanschluss	 Ø10 Ø13	M 099.09 SPB 10 M 099.09 SPB 13
			(Full flow)  Ø10 Ø13	M 099.09 SPF 10 M 099.09 SPF 13
	Female thread Innengewinde	 BSP 3/8 NPT 3/8	M 099.09 SFB 17 M 099.09 SNB 17	
		(Full flow)  BSP 3/8 NPT 3/8	M 099.09 SFF 17 M 099.09 SNF 17	
	For collector Für Sammler		M 099.09 SAB 00	
		(Full flow) 	M 099.09 SAF 00	
TYPE M 099.09	Plugs / Nippel	Connection / Anschluss	Item code / Artikelnummer	
	Female thread Innengewinde	 BSP 3/8 NPT 3/8	M 099.09 PFB 17 M 099.09 PNB 17	
		(Full flow)  BSP 3/8 NPT 3/8	M 099.09 PFF 17 M 099.09 PNF 17	
TYPE M 099.09	Adapters elbow / Adapter Winkel	Connection / Anschluss	Item code / Artikelnummer	
	Standard hose Schlauchanschluss	BSP 3/8 → Ø10 Ø12	EBH 17/10-90 EBH 17/12-90	
		NPT 3/8 → Ø10 Ø12	EBH 17T/10-90 EBH 17T/12-90	
	Push to connect Steckschlauchanschluss	BSP 3/8 → Ø10 Ø13	EBP 17/10-90 EBP 17/13-90	
		NPT 3/8 → Ø10 Ø13	EBP 17T/10-90 EBP 17T/13-90	
	TE 17-17 - 20 BSP 3/8" Female - BSP 3/8" Male Extention BSP 3/8" Innengewinde - BSP 3/8" Aussengewinde Verlängerung			
	TEN 17-17 - 20 NPT 3/8" Female - BSP 3/8" Male Extention NPT 3/8" Innengewinde - BSP 3/8" Aussengewinde Verlängerung			