

Water Multi Coupling For
European Plug Profile

rtc[®]

COUPLING TECHNOLOGY

[www.rtc-tec.com](http://www rtc-tec.com)



M090

rtc TYPE

rtc Multicoupling systems
rtc Multikupplungssysteme type M090



rtc Multicoupling systems / rtc Multikupplungssysteme type M090



| Type | Max. Working Pressure Max. Betriebsdruck | Flow size Nennweite | Connections Anschlüsse | Circuits Kreislauf |
|--|---|------------------------|--------------------------------|-----------------------------|
| rtc M090.09 | 16 bar | 09 | 6 / 8 / 10 / 12 / 16 / 20 / 24 | 3 / 4 / 5 / 6 / 8 / 10 / 12 |
| <p>Temperature Range - Temperaturbereich</p> <p>For oil / bei Öl -10°C +200°C (+14°F +392°F) FPM (V)</p> <p>For water / bei Wasser -10°C +160°C (+14°F +320°F) FPM (V)</p> | | | | |



Specification

Connecting and disconnecting the circuits in one operation for quick mold change

Colour coded plates for circuit definition

Eigenschaften

Verbinden und Trennen von mehreren Kreisläufen in einem Arbeitsgang für das schnelle Rüsten

Kennzeichnung von Zu- und Rücklauf durch farbige Platten

Applications

Aluminium die casting

Test units

Plastics industry / cooling heating

Anwendungen

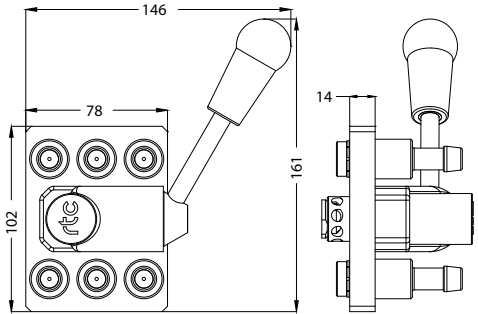
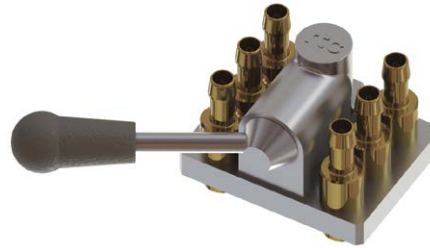
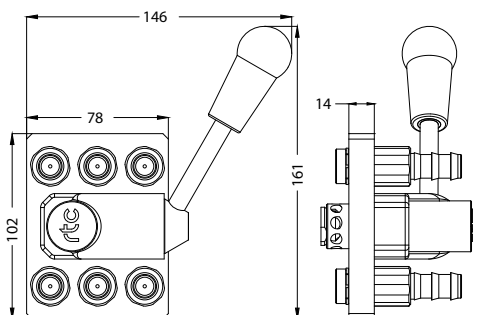
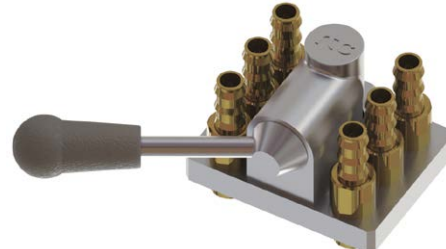
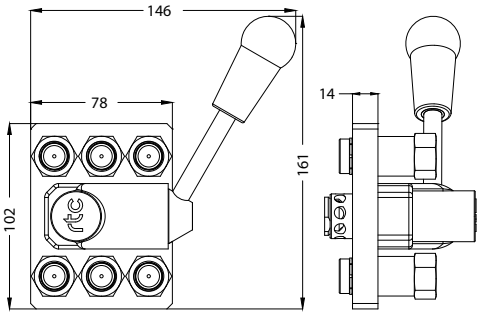

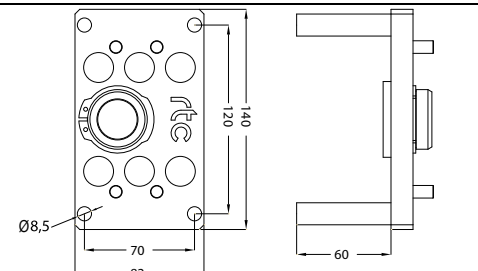

Aluminiumdruckguß

Prüfstände

Kunststoffindustrie / Mehrkreistemperierung / Kühlen Temperieren

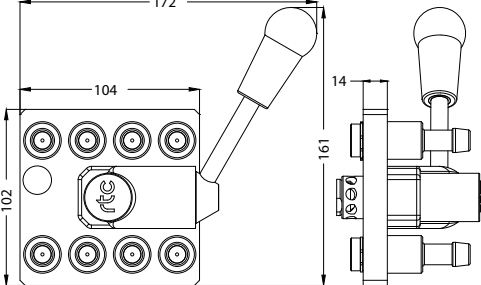
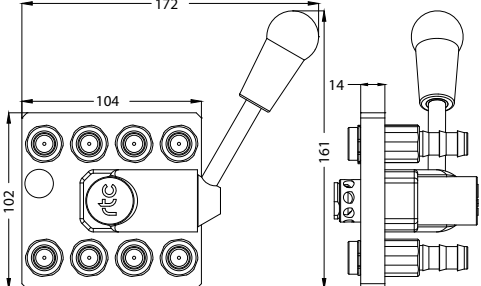
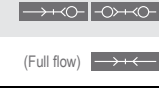
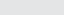

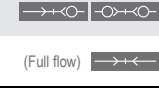
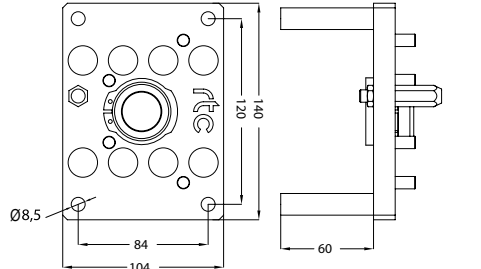
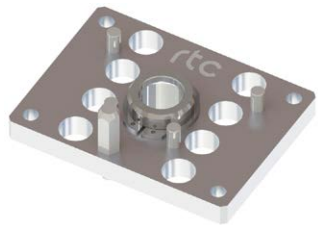
rtc TYPE M 090.09

Flow diameter 9 mm / Nennweite 9 mm

| TYPE M 090.09 | Mobile side / Versorgerseite | Item code / Artikelnummer | | | | | | | | | | | | |
|--|---|---|-----|---------|--------------------|-----|---------|--------------------|----------------|---------|--------------------|----------------|---------|--------------------|
| <p>3 ↔ 3</p>  | <p>Standard hose Schlauchanschluss</p>  | <table border="1"> <tr> <td>→○←</td> <td>Ø10</td> <td>M 090.09-06 SHB 10</td> </tr> <tr> <td>→○←</td> <td>Ø12</td> <td>M 090.09-06 SHB 12</td> </tr> <tr> <td>(Full flow) →←</td> <td>Ø10</td> <td>M 090.09-06 SHF 10</td> </tr> <tr> <td>(Full flow) →←</td> <td>Ø12</td> <td>M 090.09-06 SHF 12</td> </tr> </table> | →○← | Ø10 | M 090.09-06 SHB 10 | →○← | Ø12 | M 090.09-06 SHB 12 | (Full flow) →← | Ø10 | M 090.09-06 SHF 10 | (Full flow) →← | Ø12 | M 090.09-06 SHF 12 |
| →○← | Ø10 | M 090.09-06 SHB 10 | | | | | | | | | | | | |
| →○← | Ø12 | M 090.09-06 SHB 12 | | | | | | | | | | | | |
| (Full flow) →← | Ø10 | M 090.09-06 SHF 10 | | | | | | | | | | | | |
| (Full flow) →← | Ø12 | M 090.09-06 SHF 12 | | | | | | | | | | | | |
| <p>3 ↔ 3</p>  | <p>Push to connect Steckschlauchanschluss</p>  | <table border="1"> <tr> <td>→○←</td> <td>Ø10</td> <td>M 090.09-06 SPB 10</td> </tr> <tr> <td>→○←</td> <td>Ø13</td> <td>M 090.09-06 SPB 13</td> </tr> <tr> <td>(Full flow) →←</td> <td>Ø10</td> <td>M 090.09-06 SPF 10</td> </tr> <tr> <td>(Full flow) →←</td> <td>Ø13</td> <td>M 090.09-06 SPF 13</td> </tr> </table> | →○← | Ø10 | M 090.09-06 SPB 10 | →○← | Ø13 | M 090.09-06 SPB 13 | (Full flow) →← | Ø10 | M 090.09-06 SPF 10 | (Full flow) →← | Ø13 | M 090.09-06 SPF 13 |
| →○← | Ø10 | M 090.09-06 SPB 10 | | | | | | | | | | | | |
| →○← | Ø13 | M 090.09-06 SPB 13 | | | | | | | | | | | | |
| (Full flow) →← | Ø10 | M 090.09-06 SPF 10 | | | | | | | | | | | | |
| (Full flow) →← | Ø13 | M 090.09-06 SPF 13 | | | | | | | | | | | | |
| <p>3 ↔ 3</p>  | <p>Female thread Innengewinde</p>  | <table border="1"> <tr> <td>→○←</td> <td>BSP 3/8</td> <td>M 090.09-06 SFB 17</td> </tr> <tr> <td>→○←</td> <td>NPT 3/8</td> <td>M 090.09-06 SNB 17</td> </tr> <tr> <td>(Full flow) →←</td> <td>BSP 3/8</td> <td>M 090.09-06 SFF 17</td> </tr> <tr> <td>(Full flow) →←</td> <td>NPT 3/8</td> <td>M 090.09-06 SNF 17</td> </tr> </table> | →○← | BSP 3/8 | M 090.09-06 SFB 17 | →○← | NPT 3/8 | M 090.09-06 SNB 17 | (Full flow) →← | BSP 3/8 | M 090.09-06 SFF 17 | (Full flow) →← | NPT 3/8 | M 090.09-06 SNF 17 |
| →○← | BSP 3/8 | M 090.09-06 SFB 17 | | | | | | | | | | | | |
| →○← | NPT 3/8 | M 090.09-06 SNB 17 | | | | | | | | | | | | |
| (Full flow) →← | BSP 3/8 | M 090.09-06 SFF 17 | | | | | | | | | | | | |
| (Full flow) →← | NPT 3/8 | M 090.09-06 SNF 17 | | | | | | | | | | | | |
| TYPE K 090.09 | Mould side / Abnehmerseite | Item code / Artikelnummer | | | | | | | | | | | | |
| <p>3 ↔ 3</p>  | <p>Plate for 6 lines / Platte für 6 Anschlüsse</p>  | <p>K 090.09-06</p> | | | | | | | | | | | | |

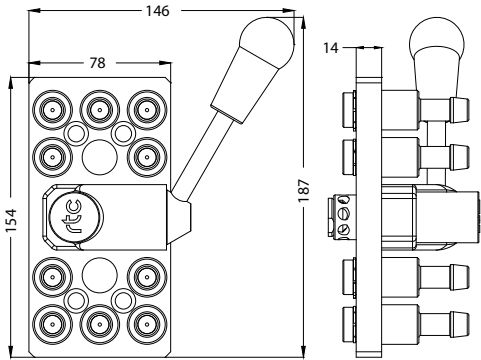
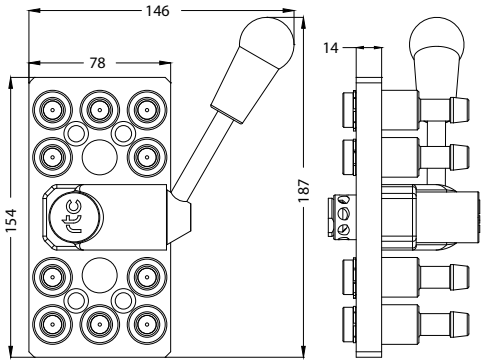
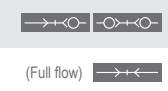

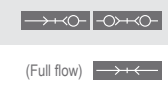
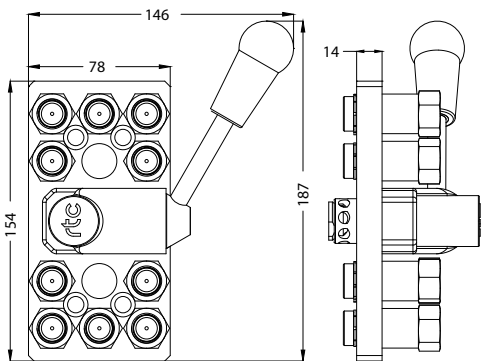
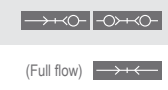

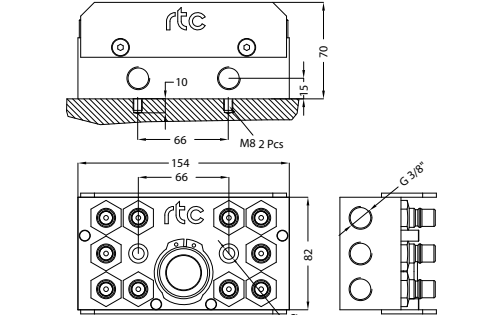




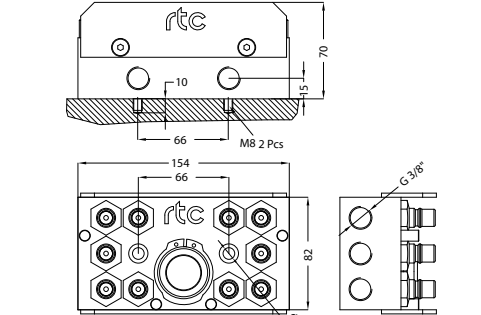
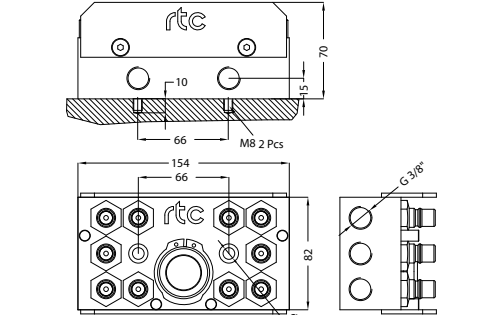



Flow diameter 9 mm / Nennweite 9 mm

TYPE M 090.09 **rtc**

| TYPE M 090.09 | Mobile side / Versorgerseite | Item code / Artikelnummer | | | | | | | | | | | | | |
|--|--|---------------------------|---------|--------------------|--|---------|--------------------|-------------|---------|--------------------|-------------|---------|--------------------|--|--|
| <p>4 ↔ 4</p>  | <p>Standard hose Schlauchanschluss</p> <table border="1" data-bbox="1029 331 1300 436"> <tr> <td></td> <td>Ø10</td> <td>M 090.09-08 SHB 10</td> </tr> <tr> <td></td> <td>Ø12</td> <td>M 090.09-08 SHB 12</td> </tr> <tr> <td>(Full flow) </td> <td>Ø10</td> <td>M 090.09-08 SHF 10</td> </tr> <tr> <td>(Full flow) </td> <td>Ø12</td> <td>M 090.09-08 SHF 12</td> </tr> </table>  | | Ø10 | M 090.09-08 SHB 10 | | Ø12 | M 090.09-08 SHB 12 | (Full flow) | Ø10 | M 090.09-08 SHF 10 | (Full flow) | Ø12 | M 090.09-08 SHF 12 | | |
| | Ø10 | M 090.09-08 SHB 10 | | | | | | | | | | | | | |
| | Ø12 | M 090.09-08 SHB 12 | | | | | | | | | | | | | |
| (Full flow) | Ø10 | M 090.09-08 SHF 10 | | | | | | | | | | | | | |
| (Full flow) | Ø12 | M 090.09-08 SHF 12 | | | | | | | | | | | | | |
| <p>4 ↔ 4</p>  | <p>Push to connect Steckschlauchanschluss</p> <table border="1" data-bbox="1029 817 1300 922"> <tr> <td></td> <td>Ø10</td> <td>M 090.09-08 SPB 10</td> </tr> <tr> <td></td> <td>Ø13</td> <td>M 090.09-08 SPB 13</td> </tr> <tr> <td>(Full flow) </td> <td>Ø10</td> <td>M 090.09-08 SPF 10</td> </tr> <tr> <td>(Full flow) </td> <td>Ø13</td> <td>M 090.09-08 SPF 13</td> </tr> </table>  | | Ø10 | M 090.09-08 SPB 10 | | Ø13 | M 090.09-08 SPB 13 | (Full flow) | Ø10 | M 090.09-08 SPF 10 | (Full flow) | Ø13 | M 090.09-08 SPF 13 | | |
| | Ø10 | M 090.09-08 SPB 10 | | | | | | | | | | | | | |
| | Ø13 | M 090.09-08 SPB 13 | | | | | | | | | | | | | |
| (Full flow) | Ø10 | M 090.09-08 SPF 10 | | | | | | | | | | | | | |
| (Full flow) | Ø13 | M 090.09-08 SPF 13 | | | | | | | | | | | | | |
| <p>4 ↔ 4</p>  | <p>Female thread Innengewinde</p> <table border="1" data-bbox="1029 1303 1300 1408"> <tr> <td></td> <td>BSP 3/8</td> <td>M 090.09-08 SFB 17</td> </tr> <tr> <td></td> <td>NPT 3/8</td> <td>M 090.09-08 SNB 17</td> </tr> <tr> <td>(Full flow) </td> <td>BSP 3/8</td> <td>M 090.09-08 SFF 17</td> </tr> <tr> <td>(Full flow) </td> <td>NPT 3/8</td> <td>M 090.09-08 SNF 17</td> </tr> </table>  | | BSP 3/8 | M 090.09-08 SFB 17 | | NPT 3/8 | M 090.09-08 SNB 17 | (Full flow) | BSP 3/8 | M 090.09-08 SFF 17 | (Full flow) | NPT 3/8 | M 090.09-08 SNF 17 | | |
| | BSP 3/8 | M 090.09-08 SFB 17 | | | | | | | | | | | | | |
| | NPT 3/8 | M 090.09-08 SNB 17 | | | | | | | | | | | | | |
| (Full flow) | BSP 3/8 | M 090.09-08 SFF 17 | | | | | | | | | | | | | |
| (Full flow) | NPT 3/8 | M 090.09-08 SNF 17 | | | | | | | | | | | | | |
| TYPE K 090.09 | Mould side / Abnehmerseite | Item code / Artikelnummer | | | | | | | | | | | | | |
| <p>4 ↔ 4</p>  | <p>Plate for 8 lines / Platte für 8 Anschlüsse</p>  | <p>K 090.09-08</p> | | | | | | | | | | | | | |

rtc TYPE M 090.09

Flow diameter 9 mm / Nennweite 9 mm

| TYPE M 090.09 | Mobile side / Versorgerseite | Item code / Artikelnummer | |
|--|---|--|---|
| <p>5 ↔ 5</p>  | <p>Standard hose Schlauchanschluss</p>  |  <p>Ø10 Ø12</p> <p>(Full flow) </p> <p>Ø10 Ø12</p> | <p>M 090.09-10 SHB 10 M 090.09-10 SHB 12 M 090.09-10 SHF 10 M 090.09-10 SHF 12</p>  |
| | <p>Push to connect Steckschlauchanschluss</p>  |  <p>Ø10 Ø13</p> <p>(Full flow) </p> <p>Ø10 Ø13</p> | <p>M 090.09-10 SPB 10 M 090.09-10 SPB 13 M 090.09-10 SPF 10 M 090.09-10 SPF 13</p>  |
| | <p>Female thread Innengewinde</p>  |  <p>BSP 3/8 NPT 3/8</p> <p>(Full flow) </p> <p>BSP 3/8 NPT 3/8</p> | <p>M 090.09-10 SFB 17 M 090.09-10 SNB 17 M 090.09-10 SFF 17 M 090.09-10 SNF 17</p>  |
| TYPE K 090.09 | Mould side / Abnehmerseite | Item code / Artikelnummer | |
| <p>5 ↔ 5</p>  | <p>Plate with 10 plugs Platte mit 10 Anschlüsse</p>  |  <p>BSP 3/8</p> <p>(Full flow) </p> <p>BSP 3/8</p> | <p>K 090.09-10 PMB 17 K 090.09-10 PMF 17</p>  |


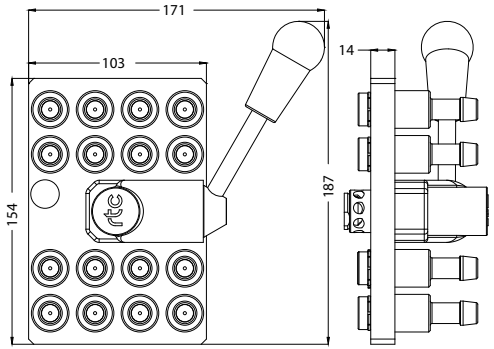









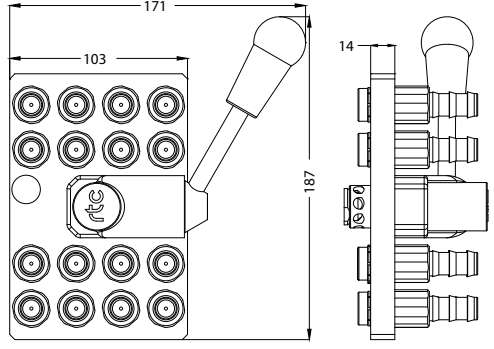









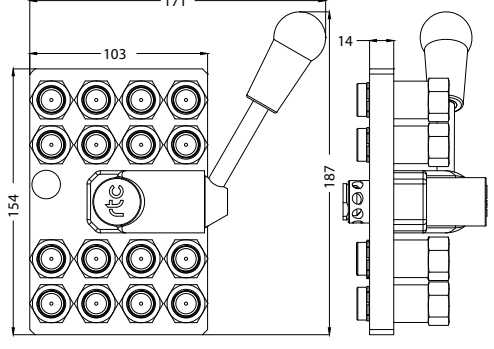










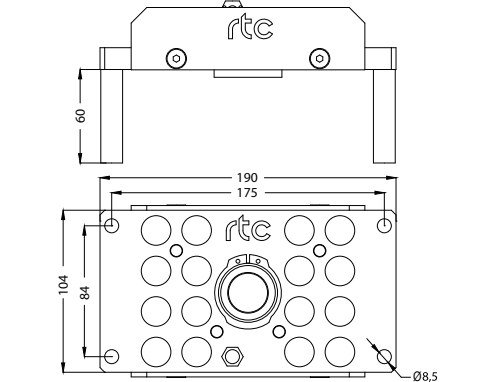



Flow diameter 9 mm / Nennweite 9 mm

TYPE M 090.09 **rtc**

| TYPE M 090.09 | Mobile side / Versorgerseite | Item code / Artikelnummer | | | | | | | | | | |
|---------------------|--|--|---|---|--------------------|--------------------|--------------------|---------------------|--------------------|--------------------|--------------------|--------------------|
| <p>6 ↔ 6</p> | | <p>Standard hose Schlauchanschluss</p> | | <table border="1"> <tr><td>Ø10</td><td>M 090.09-12 SHB 10</td></tr> <tr><td>Ø12</td><td>M 090.09-12 SHB 12</td></tr> <tr><td>Ø10 (Full flow)</td><td>M 090.09-12 SHF 10</td></tr> <tr><td>Ø12</td><td>M 090.09-12 SHF 12</td></tr> </table> | Ø10 | M 090.09-12 SHB 10 | Ø12 | M 090.09-12 SHB 12 | Ø10 (Full flow) | M 090.09-12 SHF 10 | Ø12 | M 090.09-12 SHF 12 |
| | Ø10 | M 090.09-12 SHB 10 | | | | | | | | | | |
| | Ø12 | M 090.09-12 SHB 12 | | | | | | | | | | |
| | Ø10 (Full flow) | M 090.09-12 SHF 10 | | | | | | | | | | |
| Ø12 | M 090.09-12 SHF 12 | | | | | | | | | | | |
| | <p>Push to connect Steckschlauchanschluss</p> | | <table border="1"> <tr><td>Ø10</td><td>M 090.09-12 SPB 10</td></tr> <tr><td>Ø13</td><td>M 090.09-12 SPB 13</td></tr> <tr><td>Ø10 (Full flow)</td><td>M 090.09-12 SPF 10</td></tr> <tr><td>Ø13</td><td>M 090.09-12 SPF 13</td></tr> </table> | Ø10 | M 090.09-12 SPB 10 | Ø13 | M 090.09-12 SPB 13 | Ø10 (Full flow) | M 090.09-12 SPF 10 | Ø13 | M 090.09-12 SPF 13 | |
| Ø10 | M 090.09-12 SPB 10 | | | | | | | | | | | |
| Ø13 | M 090.09-12 SPB 13 | | | | | | | | | | | |
| Ø10 (Full flow) | M 090.09-12 SPF 10 | | | | | | | | | | | |
| Ø13 | M 090.09-12 SPF 13 | | | | | | | | | | | |
| | <p>Female thread Innengewinde</p> | | <table border="1"> <tr><td>BSP 3/8</td><td>M 090.09-12 SFB 17</td></tr> <tr><td>NPT 3/8</td><td>M 090.09-12 SNB 17</td></tr> <tr><td>BSP 3/8 (Full flow)</td><td>M 090.09-12 SFF 17</td></tr> <tr><td>NPT 3/8</td><td>M 090.09-12 SNF 17</td></tr> </table> | BSP 3/8 | M 090.09-12 SFB 17 | NPT 3/8 | M 090.09-12 SNB 17 | BSP 3/8 (Full flow) | M 090.09-12 SFF 17 | NPT 3/8 | M 090.09-12 SNF 17 | |
| BSP 3/8 | M 090.09-12 SFB 17 | | | | | | | | | | | |
| NPT 3/8 | M 090.09-12 SNB 17 | | | | | | | | | | | |
| BSP 3/8 (Full flow) | M 090.09-12 SFF 17 | | | | | | | | | | | |
| NPT 3/8 | M 090.09-12 SNF 17 | | | | | | | | | | | |
| | <p>Female thread collector Innengewinde Sammler</p> | | <table border="1"> <tr><td>BSP 1</td><td>M 090.09-12 C 33</td></tr> <tr><td>BSP 1</td><td>M 090.09-12 CN 33</td></tr> </table> | BSP 1 | M 090.09-12 C 33 | BSP 1 | M 090.09-12 CN 33 | | | | | |
| BSP 1 | M 090.09-12 C 33 | | | | | | | | | | | |
| BSP 1 | M 090.09-12 CN 33 | | | | | | | | | | | |
| <p>6 ↔ 6</p> | <p>TYPE K 090.09</p> <p>Mould side / Abnehmerseite</p> <p>K 090.09-12 AD</p> | <p>Plate for 12 lines / Platte mit 12 Anschlüsse</p> <table border="1"> <tr><td>K 090.09-12</td></tr> <tr><td>K 090.09-12 AD</td></tr> </table> <p>K 090.09-12</p> | | K 090.09-12 | K 090.09-12 AD | | | | | | | |
| K 090.09-12 | | | | | | | | | | | | |
| K 090.09-12 AD | | | | | | | | | | | | |

rtc TYPE M 090.09

Flow diameter 9 mm / Nennweite 9 mm

| TYPE M 090.09 | Mobile side / Versorgerseite | Item code / Artikelnummer | | | | | | |
|--|--|---|---|--|--|--|--|--|
|  |  | <table border="1"> <tr> <td data-bbox="766 347 997 436">Standard hose Schlauchanschluss</td> <td data-bbox="997 347 1273 436">  Ø10 Ø12 (Full flow)  Ø10 Ø12 </td> <td data-bbox="1273 347 1548 436"> M 090.09-16 SHB 10 M 090.09-16 SHB 12 M 090.09-16 SHF 10 M 090.09-16 SHF 12 </td> </tr> <tr> <td colspan="3" data-bbox="766 436 1548 784">  </td> </tr> </table> | Standard hose Schlauchanschluss |  Ø10 Ø12 (Full flow)  Ø10 Ø12 | M 090.09-16 SHB 10 M 090.09-16 SHB 12 M 090.09-16 SHF 10 M 090.09-16 SHF 12 |  | | |
| Standard hose Schlauchanschluss |  Ø10 Ø12 (Full flow)  Ø10 Ø12 | M 090.09-16 SHB 10 M 090.09-16 SHB 12 M 090.09-16 SHF 10 M 090.09-16 SHF 12 | | | | | | |
|  | | | | | | | | |
| |  | <table border="1"> <tr> <td data-bbox="766 795 997 884">Push to connect Steckschlauchanschluss</td> <td data-bbox="997 795 1273 884">  Ø10 Ø13 (Full flow)  Ø10 Ø13 </td> <td data-bbox="1273 795 1548 884"> M 090.09-16 SPB 10 M 090.09-16 SPB 13 M 090.09-16 SPF 10 M 090.09-16 SPF 13 </td> </tr> <tr> <td colspan="3" data-bbox="766 884 1548 1232">  </td> </tr> </table> | Push to connect Steckschlauchanschluss |  Ø10 Ø13 (Full flow)  Ø10 Ø13 | M 090.09-16 SPB 10 M 090.09-16 SPB 13 M 090.09-16 SPF 10 M 090.09-16 SPF 13 |  | | |
| Push to connect Steckschlauchanschluss |  Ø10 Ø13 (Full flow)  Ø10 Ø13 | M 090.09-16 SPB 10 M 090.09-16 SPB 13 M 090.09-16 SPF 10 M 090.09-16 SPF 13 | | | | | | |
|  | | | | | | | | |
| |  | <table border="1"> <tr> <td data-bbox="766 1243 997 1332">Female thread Innengewinde</td> <td data-bbox="997 1243 1273 1332">  BSP 3/8 NPT 3/8 (Full flow)  BSP 3/8 NPT 3/8 </td> <td data-bbox="1273 1243 1548 1332"> M 090.09-16 SFB 17 M 090.09-16 SNB 17 M 090.09-16 SFF 17 M 090.09-16 SNF 17 </td> </tr> <tr> <td colspan="3" data-bbox="766 1332 1548 1668">  </td> </tr> </table> | Female thread Innengewinde |  BSP 3/8 NPT 3/8 (Full flow)  BSP 3/8 NPT 3/8 | M 090.09-16 SFB 17 M 090.09-16 SNB 17 M 090.09-16 SFF 17 M 090.09-16 SNF 17 |  | | |
| Female thread Innengewinde |  BSP 3/8 NPT 3/8 (Full flow)  BSP 3/8 NPT 3/8 | M 090.09-16 SFB 17 M 090.09-16 SNB 17 M 090.09-16 SFF 17 M 090.09-16 SNF 17 | | | | | | |
|  | | | | | | | | |
| TYPE K 090.09 | Mould side / Abnehmerseite | Item code / Artikelnummer | | | | | | |
|  |  | <table border="1"> <tr> <td data-bbox="766 1724 1273 1758">Plate for 16 lines / Platte für 16 Anschlüsse</td> <td data-bbox="1273 1724 1548 1758">K 090.09-16</td> </tr> <tr> <td colspan="2" data-bbox="766 1758 1548 2128">  </td> </tr> </table> | Plate for 16 lines / Platte für 16 Anschlüsse | K 090.09-16 |  | | | |
| Plate for 16 lines / Platte für 16 Anschlüsse | K 090.09-16 | | | | | | | |
|  | | | | | | | | |

Flow diameter 9 mm / Nennweite 9 mm

TYPE M 090.09 **rtc**

| TYPE M 090.09 | Mobile side / Versorgerseite | | Item code / Artikelnummer | |
|----------------|---|---|--|--|
| <p>10 ↔ 10</p> | | <p>Standard hose Schlauchanschluss</p> | | <p>M 090.09-20 SHB 10 M 090.09-20 SHB 12 M 090.09-20 SHF 10 M 090.09-20 SHF 12</p> |
| | | <p>Push to connect Steckschlauchanschluss</p> | | <p>M 090.09-20 SPB 10 M 090.09-20 SPB 13 M 090.09-20 SPF 10 M 090.09-20 SPF 13</p> |
| | | <p>Female thread Innengewinde</p> | | <p>M 090.09-20 SFB 17 M 090.09-20 SNB 17 M 090.09-20 SFF 17 M 090.09-20 SNF 17</p> |
| | | <p>Female thread collector Innengewinde Sammler</p> | | <p>M 090.09-20 C 42 M 090.09-20 CN 42</p> |
| <p>10 ↔ 10</p> | <p>TYPE K 090.09 Mould side / Abnehmerseite</p> | | <p>Item code / Artikelnummer</p> <p>Plate for 20 lines / Platte für 20 Anschlüsse</p> <p>K 090.09-20</p> | |

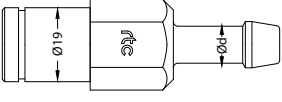
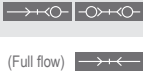

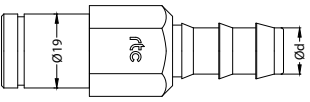
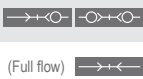

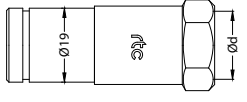
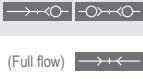

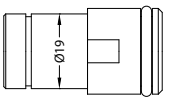
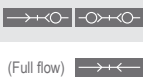

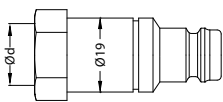


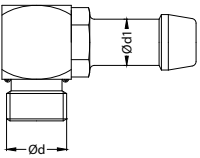
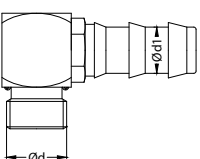
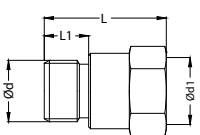
rtc TYPE M 090.09

Flow diameter 9 mm / Nennweite 9 mm

| TYPE M 090.09 | Mobile side / Versorgerseite | Item code / Artikelnummer | | | | | | | | | | | | |
|----------------|---|--|--------------------|--------------------|--------------------|-----------|--------------------|--------------------|-------------|--------------------|--------------------|---------|--------------------|--------------------|
| <p>12 ↔ 12</p> | | <p>Standard hose Schlauchanschluss</p> <table border="1"> <tr> <td></td> <td>Ø10</td> <td>M 090.09-24 SHB 10</td> </tr> <tr> <td></td> <td>Ø12</td> <td>M 090.09-24 SHB 12</td> </tr> <tr> <td>(Full flow) </td> <td>Ø10</td> <td>M 090.09-24 SHF 10</td> </tr> <tr> <td></td> <td>Ø12</td> <td>M 090.09-24 SHF 12</td> </tr> </table> | | Ø10 | M 090.09-24 SHB 10 | | Ø12 | M 090.09-24 SHB 12 | (Full flow) | Ø10 | M 090.09-24 SHF 10 | | Ø12 | M 090.09-24 SHF 12 |
| | | Ø10 | M 090.09-24 SHB 10 | | | | | | | | | | | |
| | | Ø12 | M 090.09-24 SHB 12 | | | | | | | | | | | |
| | (Full flow) | Ø10 | M 090.09-24 SHF 10 | | | | | | | | | | | |
| | Ø12 | M 090.09-24 SHF 12 | | | | | | | | | | | | |
| | <p>Push to connect Steckschlauchanschluss</p> <table border="1"> <tr> <td></td> <td>Ø10</td> <td>M 090.09-24 SPB 10</td> </tr> <tr> <td></td> <td>Ø13</td> <td>M 090.09-24 SPB 13</td> </tr> <tr> <td>(Full flow) </td> <td>Ø10</td> <td>M 090.09-24 SPF 10</td> </tr> <tr> <td></td> <td>Ø13</td> <td>M 090.09-24 SPF 13</td> </tr> </table> | | Ø10 | M 090.09-24 SPB 10 | | Ø13 | M 090.09-24 SPB 13 | (Full flow) | Ø10 | M 090.09-24 SPF 10 | | Ø13 | M 090.09-24 SPF 13 | |
| | Ø10 | M 090.09-24 SPB 10 | | | | | | | | | | | | |
| | Ø13 | M 090.09-24 SPB 13 | | | | | | | | | | | | |
| (Full flow) | Ø10 | M 090.09-24 SPF 10 | | | | | | | | | | | | |
| | Ø13 | M 090.09-24 SPF 13 | | | | | | | | | | | | |
| | <p>Female thread Innengewinde</p> <table border="1"> <tr> <td></td> <td>BSP 3/8</td> <td>M 090.09-24 SFB 17</td> </tr> <tr> <td></td> <td>NPT 3/8</td> <td>M 090.09-24 SNB 17</td> </tr> <tr> <td>(Full flow) </td> <td>BSP 3/8</td> <td>M 090.09-24 SFF 17</td> </tr> <tr> <td></td> <td>NPT 3/8</td> <td>M 090.09-24 SNF 17</td> </tr> </table> | | BSP 3/8 | M 090.09-24 SFB 17 | | NPT 3/8 | M 090.09-24 SNB 17 | (Full flow) | BSP 3/8 | M 090.09-24 SFF 17 | | NPT 3/8 | M 090.09-24 SNF 17 | |
| | BSP 3/8 | M 090.09-24 SFB 17 | | | | | | | | | | | | |
| | NPT 3/8 | M 090.09-24 SNB 17 | | | | | | | | | | | | |
| (Full flow) | BSP 3/8 | M 090.09-24 SFF 17 | | | | | | | | | | | | |
| | NPT 3/8 | M 090.09-24 SNF 17 | | | | | | | | | | | | |
| | <p>Female thread collector Innengewinde Sammler</p> <table border="1"> <tr> <td></td> <td>BSP 1-1/4</td> <td>M 090.09-24 C 42</td> </tr> <tr> <td></td> <td>NPT 1-1/4</td> <td>M 090.09-24 CN 42</td> </tr> </table> | | BSP 1-1/4 | M 090.09-24 C 42 | | NPT 1-1/4 | M 090.09-24 CN 42 | | | | | | | |
| | BSP 1-1/4 | M 090.09-24 C 42 | | | | | | | | | | | | |
| | NPT 1-1/4 | M 090.09-24 CN 42 | | | | | | | | | | | | |
| <p>12 ↔ 12</p> | <p>TYPE K 090.09</p> <p>Mould side / Abnehmerseite</p> | <p>Plate for 24 lines / Platte für 24 Anschlüsse</p> <p>Item code / Artikelnummer: K 090.09-24</p> | | | | | | | | | | | | |

Flow diameter 9 mm / Nennweite 9 mm

TYPE M 090.09 

| TYPE M 090.09 | Sockets / Kupplungen | Connection / Anschluss | Item code / Artikelnummer | |
|---|--|--|--|--|
|  | Standard hose Schlauchanschluss |  Ø10 Ø12 (Full flow)  Ø10 Ø12 | M 090.09 SHB 10 M 090.09 SHB 12 M 090.09 SHF 10 M 090.09 SHF 12 | |
| |  | Push to connect Steckschlauchanschluss |  Ø10 Ø13 (Full flow)  Ø10 Ø13 | M 090.09 SPB 10 M 090.09 SPB 13 M 090.09 SPF 10 M 090.09 SPF 13 |
| |  | Female thread Innengewinde |  BSP 3/8 NPT 3/8 (Full flow)  BSP 3/8 NPT 3/8 | M 090.09 SFB 17 M 090.09 SNB 17 M 090.09 SFF 17 M 090.09 SNF 17 |
| |  | For collector Für Sammler |  (Full flow)  | M 090.09 SAB 00 M 090.09 SAF 00 |
| TYPE M 090.09 | Plugs / Nippel | Connection / Anschluss | Item code / Artikelnummer | |
|  | Female thread Innengewinde |  BSP 3/8 NPT 3/8 (Full flow)  BSP 3/8 NPT 3/8 | M 090.09 PFB 17 M 090.09 PNB 17 M 090.09 PFF 17 M 090.09 PNF 17 | |
| TYPE M 090.09 | Adapters elbow / Adapter Winkel | Connection / Anschluss | Item code / Artikelnummer | |
|  | Standard hose Schlauchanschluss | BSP 3/8 → Ø10 NPT 3/8 → Ø12 NPT 3/8 → Ø10 NPT 3/8 → Ø12 | EBH 17/10-90 EBH 17/12-90 EBH 17T/10-90 EBH 17T/12-90 | |
|  | Push to connect Steckschlauchanschluss | BSP 3/8 → Ø10 NPT 3/8 → Ø13 NPT 3/8 → Ø10 NPT 3/8 → Ø13 | EBP 17/10-90 EBP 17/13-90 EBP 17T/10-90 EBP 17T/13-90 | |
|  | TE 17-17-20 BSP 3/8" Female - BSP 3/8" Male Extention BSP 3/8" Innengewinde - BSP 3/8" Aussengewinde Verlängerung TE 17-N17-20 NPT 3/8" Female - BSP 3/8" Male Extention NPT 3/8" Innengewinde - BSP 3/8" Aussengewinde Verlängerungx | | | |