



The Global Quick Connect Specialist

High Quality Quick Connect Components for All Media





CEJN - Developing together, for tomorrow





Pneumatic Products

- 6 Standard Couplings & Nipples
- 8 Safety Couplings & Nipples
 - Safety Lock Couplings & Nipples
 - Button Style Couplings & Nipples
- 9 Soft-Line Couplings
 - Lightweight Couplings
 - Multi-Link Systems
- 10 Hose
 - Hose Kits
- 11 Hose & Cable Reels
 - FRL Products
 - Accessories
- 12 Air & Fluid Guns

Breathing Air Products

- 14 Couplings & Nipples
- 15 Hose
- 11 Hose Kits
 - Accessories

Fluid Products

- 17 Non-Drip Brass Couplings & Nipples
 - Non-Drip Stainless Steel Couplings & Nipples
 - Full-Flow Brass Couplings & Nipples
 - Full-Flow Stainless Steel Couplings & Nipples
- 18 Classic Couplings & nipples
- 19 Hose
 - Accessories

Hydraulic Products

- 21 X65 Range - Premium ISO 16028 Flat Face Quick Couplings
 - X66 Range - ISO 16028 Flat Face Stainless Steel
 - X62 Range - ISO 16028 Flat Face Quick Couplings Interchange
 - X64 Range - ISO 16028 Flat Face Pressure Eliminator Nipples
- 22 Nordic Range / 525 - High Performance Poppet Type Couplings
 - Nordic Range / 526 - Stainless steel High Performance Poppet Type Couplings
 - Nordic Range Accessories
- 23 Multi-X Multi-Coupling Plates
 - Multi-X Accessories
- 24 Classic Range - CEJN Unique Profile
 - Snap-Check / 358 - Quick Connect Pressure Testing
 - Press-Check / 359 - Screw to Connect Pressure Testing (ISO 15171-2)

WEO Plug-In Products

- 24 Couplings & Nipples
- 26 Swivels
 - Cartridge

High-Pressure Hydraulic Products

- 28 Couplings & Nipples
 - Flat-Face Couplings & Nipples
- 29 Hose
 - Screw-to-connect couplings & nipples
- 30 Accessories

Multi & Auto Products

- 30 Auto-Couplings Hydraulics
 - Auto-Couplings Pneumatics
 - Multi-Snap



The Key to Leadership Is Our Mindset

We have maintained our roots in the heart of Sweden throughout our expansion to other markets worldwide. Born and developed through Swedish ingenuity gives us a heritage to be proud of. "Made in Sweden" is for us, a seal of high industrial quality. Add "by CEJN" and you get the assurance of quality and superior performance.

OUR PRODUCTS

Our core products are quick connect couplings and nipples for all types of media, from compressed air to gas, breathing air, fluids and hydraulic oil. Regardless of market segment, you can find our products in such diverse fields as agriculture, automotive, construction, off-shore, medical, leisure, transportation, wind power and rescue just to mention a few industries.

CEJN - A GLOBAL COMPANY

Being one step ahead demands being one step closer to the market—a key reason why CEJN has a local presence across the globe. Our sixteen local sales offices extend the technical know-how of our hub, offer on-location product support, and on-time deliveries to our customers in all major industrial markets. Close cooperation between the R&D department and our sales offices ensures that the market has access to all our competencies in product range breadth, application support, and on-time delivery performance. With over 50 years in business developing, manufacturing and selling products for all types of media to every corner of the world our products ensure quality and superior performance to guarantee professional use and customer benefit.



Pneumatic Products

Synonymous with quality, high performance and safety

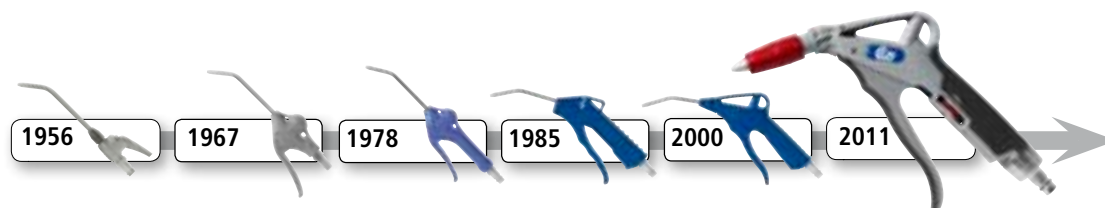
Designed and produced in Sweden, CEJN pneumatic products are the high quality choice for industries and workshops that want the best professional option on the market. Our pneumatic products result in significant reduction in energy consumption and secured tool performance. The functional design is based on genuine usability conditions, exacting standards, long service life and low maintenance costs.

ALWAYS AT THE TOP

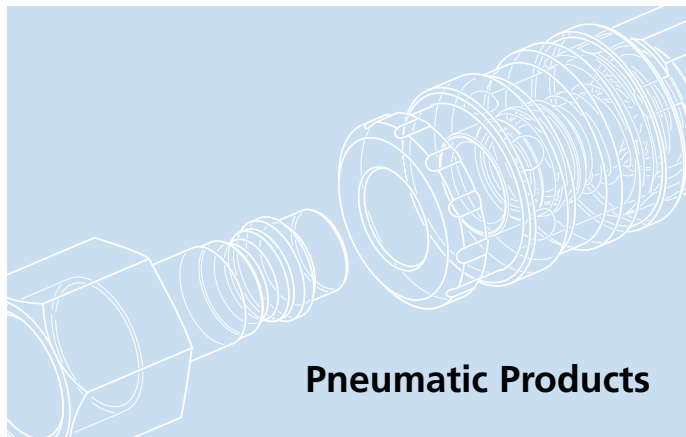
At CEJN we have produced pneumatic products for nearly 60 years and our product line includes the world's best performing products such as quick connect couplings and nipples, air and fluid guns, polyurethane hose, lightweight and heavy-duty hose, hose and cable reels and accessories. Our modernized hose reel range was released in 2010 and we are confident that it is our constant strive to improve that keeps us on the top.

MUTLIFLOW – FOR PROFESSIONAL USE

In 2011 we introduced our new blowgun the MultiFLOW. To ensure that the new air and fluid gun was developed according to customer need, end-users were interviewed to identify its job responsibilities. That valuable information together with the brilliant work of CEJN engineers lead to the birth of MultiFLOW. It has an unmatched blowing force, adjustable flow control and adjustable beam making this tool the most versatile air and fluid gun available and a professionals must have.



The quality of tools has a direct link to the quality of the work they perform. For over 50 years, that fact has been the driving force behind CEJN's commitment to providing customers with pneumatic tools that are a real standout in performance, craftsmanship and durability.



Pneumatic Products

Series 141

Standard

- Extremely small external dimensions
- One-hand operation
- Suitable for several media

DN 2.5 mm (3/32"). Flow capacity of 86 l/min (3.0 CFM). Max working pressure 10 bar (150 PSI). Made of chrome-plated brass. Suitable for compressed air, fluid and vacuum applications.



Series 220

Standard

- High flow capacity
- Small external dimensions
- One-hand operated

DN 5 mm (3/16"). Flow capacity of 580 l/min (20.5 CFM). Max working pressure 35 bar (510 PSI). Made of nickel-plated steel. Suitable for compressed air, fluid and vacuum applications.



Series 223

Standard

- Interchangeable with several other brands
- Small external dimensions
- Robust design

DN 5 mm (3/32"). Flow capacity of 535 l/min (18.9 CFM). Max working pressure 15 bar (220 PSI). Made of nickel-plated brass. Suitable for compressed air, fluid and vacuum applications. **Interchangeable with** Rectus 21



Series 300

Standard

- Full automatic operation
- Strong and durable
- High flow capacity

DN 5.5 mm (7/32"). Flow capacity of 1,050 l/min (37.1 CFM). Max working pressure 16 bar (230 PSI). Made of zinc-plated steel/brass. High flow coupling with low connection force.

Interchangeable with
Rectus 14/22, Prevost ASI06, Hansen 210, Orion 44150/44515.



Series 303

Standard

- Strong and durable
- One-hand operated
- Low connection force

DN 6.5 mm (1/4"). Flow capacity of 1,450 l/min (51.2 CFM). Max working pressure 16 bar (230 PSI). Made of zinc-plated steel/brass. High flow coupling suitable for compressed air and vacuum applications.

Interchangeable with
Rectus 31, Tema 1300



Series 310

Standard

- High flow capacity
- One-hand operated
- Low connection force

DN 5.3 mm (7/32"). Flow capacity of 925 l/min (32.7 CFM). Max working pressure 16 bar (230 PSI). Made of zinc-plated steel/brass. ISO 6150 B standard, A-A 59439 standard (former U.S. Standard MIL C 4109 1/4"). High flow coupling with low connection force.

Interchangeable with
Atlas Copco QIC8, Rectus 23/24, Tema 1400/1423, Prevost ISC06/ISI06, Foster 3003, Oetiker B1, Hansen 3000



Series 315

Standard

- Extremely high flow capacity
- Low connection force
- One-hand operated

DN 7.5 mm (5/16"). Flow capacity of 1,950 l/min (68.8 CFM). Max working pressure 16 bar (230 PSI). Made of zinc-plated steel/brass. Asian standard profile with a wide range of connections.

Interchangeable with
Nitto Kohki 20/30/40, Daisen 23 SF/SOF, Rectus 13, Prevost OSG/ORG 08, Hansen CHS 03 F



Series 320 (CEJN Original Standard, Eurostandard 7.6 (7.4))

Standard

- Extremely high flow capacity
- Easy to connect
- Strong and durable

DN 7.6 mm (5/16"). Flow capacity of 2,100 l/min (74.1 CFM). Max working pressure 16 bar (230 PSI). Made of zinc-plated steel/brass. CEJN original standard, Eurostandard 7.6 (7.4).

Interchangeable with

Rectus 25/26, Tema 1600/1625, Prevost ESC07/ERC07/ESI07/ISC08, Oetiker SC C, Hansen Auto-Flo 24



Series 331

Standard

- One-hand operated
- Strong and durable
- High-flow capacity

DN 7 mm (9/32"). Flow capacity of 1600 l/min (56.5 CFM). Max working pressure 16 bar (232 PSI). Made of zinc-plated steel. One-hand operated with steel components for strength and durability.

Interchangeable with

Atlas Copco QIC10, Rectus 33, Tema 1650



Series 408

Standard

- Strong and durable
- One-hand operated
- Low connection force

DN 9.5 mm (3/8"). Flow capacity of 3,450 l/min (121.8 CFM). Max working pressure 16 bar (230 PSI). Made of zinc-plated steel/brass. High flow coupling suitable for compressed air and vacuum applications.

Interchangeable with

Rectus 32, Tema 1800



Series 410 (CEJN Original Standard, Eurostandard 10.4.)

Standard

- Extremely high flow capacity
- One-hand operated
- Strong and durable

DN 10.4 mm (13/32"). Flow capacity of 3,900 l/min (137.7 CFM). Max working pressure 16 bar (230 PSI). Made of zinc-plated steel/brass. CEJN original standard, Eurostandard 10.4. Couplings with extremely high flow and low connection force. Available in a wide range of connections.

Interchangeable with

Rectus 27, Tema 1700/1727



Series 421

Standard

- One-hand operated
- Strong and durable
- High-flow capacity

DN 10 (13/32"). Flow capacity 3200 l/min (113 CFM). Max working pressure 16 bar (232 PSI). Made of zinc-plated steel. One-hand operated with steel components for strength and durability.

Interchangeable with

Atlas Copco QIC15



Series 430 (A-A-59439 (former U.S. Standard MIL C 4109 3/8"), ISO 6150 B)

Standard

- Small outside dimensions
- High flow capacity
- One-hand operated

DN 8.2 mm (5/16"). Flow capacity of 2,350 l/min (83.0 CFM). Max working pressure 16 bar (230 PSI). Made of zinc-plated steel/brass. Standards ISO 6150 B and A-A-59439 (former U.S. Standard MIL C 4109 3/8"). High flow capacity with small outside dimensions.

Interchangeable with

Parker 25F, Foster 4404, Hansen 4000



Series 550 (A-A-59439 (former U.S. Standard MIL C 4109 1/2"), ISO 6150 B)

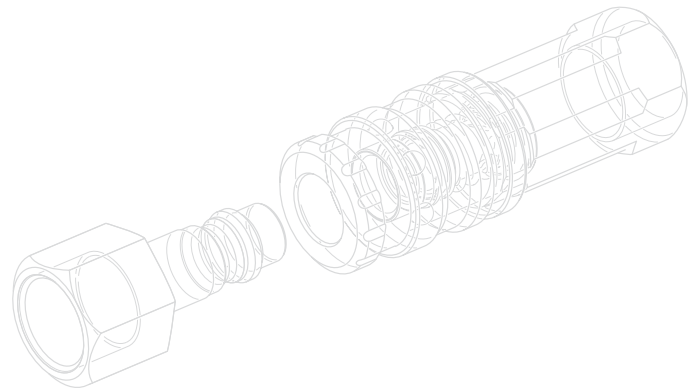
Standard

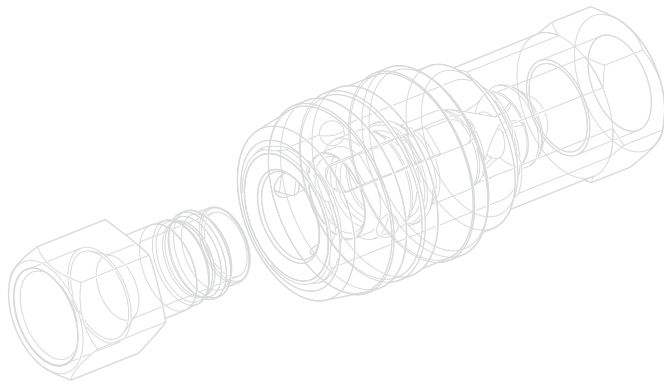
- Strong and durable
- Low connection force
- One-hand operated

DN 11 mm (7/16"). Flow capacity of 3,750 l/min (132.4 CFM). Max working pressure 16 bar (230 PSI). Made of zinc-plated steel/brass. Standards ISO 6150 B and A-A-59439 (former U.S. Standard MIL C 4109 1/2"). Strong and durable with a low connection force.

Interchangeable with

Parker 17, Prevost IRM11, Foster 5205, Hansen 5000





Series 300 (ARO 210 Standard)

Vented Safety

- Full automatic operation
- Strong and durable
- High flow capacity

DN 5.5 mm (7/32"). Flow capacity of 975 l/min (34.4 CFM). Max working pressure 12 bar (170 PSI). Made of zinc-plated steel/brass. Complies with safety standards ISO 4414 and EN 983.
Interchangeable with
 Rectus 14/22, Prevost ASI06, Hansen 210, Orion 44150/44515.



This series includes safety products. +

Series 310 (A-A 59439 (former U.S. Standard MIL C 4109 1/4"), ISO 6150 B)

Vented Safety

- High flow capacity
- One-hand operated
- Full automatic operation

DN 5.3 mm (7/32"). Flow capacity of 900 l/min (31.8 CFM). Max working pressure 12 bar (170 PSI). Made of zinc-plated steel/brass. ISO 6150 B standard, A-A 59439 standard (former U.S. Standard MIL C 4109 1/4"). Complies with safety standards ISO 4414 and EN 983.
Interchangeable with
 Atlas Copco QIC8, Rectus 23/24, Tema 1400/1423, Prevost ISC06/ISI06, Foster 3003, Oetiker B1, Hansen 3000



This series includes safety products. +

Series 320 (CEJN Original Standard, Eurostandard 7.6 (7.4))

Vented Safety

- Extremely high flow capacity
- Easy to connect
- Strong and durable

DN 7.6 mm (5/16"). Flow capacity of 1,900 l/min (67.1 CFM). Max working pressure 16 bar (232 PSI). Made of zinc-plated steel/brass. CEJN original standard, Eurostandard 7.6 (7.4). Complies with safety standards ISO 4414 and EN 983.
Interchangeable with
 Rectus 25/26, Tema 1600/1625, Prevost ESC07/ERC07/ESI07/ISC08, Oetiker SC C, Hansen Auto-Flo 24



This series includes safety products. +

Series 410 (CEJN Original Standard, Eurostandard 10.4.)

Vented Safety

- Extremely high flow capacity
- Full automatic operation
- Strong and durable

DN 10.4 mm (13/32"). Flow capacity of 3,700 l/min (130.6 CFM). Max working pressure 16 bar (230 PSI). Made of zinc-plated steel/brass. CEJN original standard, Eurostandard 10.4. Complies with safety standards ISO 4414 and EN 983.
Interchangeable with
 Rectus 27, Tema 1700/1727



This series includes safety products. +

Series 550 (A-A-59439 (former U.S. Standard MIL C 4109 1/2"), ISO 6150 B)

Vented Safety

- Strong and durable
- Full automatic operation
- Extremely high-flow capacity

DN 11 mm (7/16"). Flow capacity of 3000 l/min (105.9 CFM). Max working pressure 16 bar (232 PSI). Made of zinc-plated steel/brass. Standards ISO 6150 B and A-A-59439 (former U.S. Standard MIL C 4109 1/2"). Complies with safety standards ISO 4414 and EN 983.
Interchangeable with
 Parker 17, Prevost IRM11, Foster 5205, Hansen 5000



This series includes safety products. +

Series 342 (CEJN Original Standard)

Safety Lock

- Automatic safety-locking feature
- Extremely high flow capacity
- One-hand operated

DN 7.4 mm (9/32"). Flow capacity of 1,950 l/min (68.8 CFM). Max working pressure 35 bar (510 PSI). Made of zinc-plated steel. The automatic safety-locking feature prevents unintentional disconnection.



Series 442 (CEJN Original Standard)

Standard

- Automatic safety-locking feature
- Extremely high flow capacity
- One-hand operated

DN 10.4 mm (13/32"). Flow capacity of 3950 l/min (139.4 CFM). Max working pressure 35 bar (508 PSI). Made of zinc-plated steel/brass. The automatic safety-locking feature prevents unintentional disconnection.



Button Style Couplings & Nipples

Vented Safety


- Compact design
- Complies with safety standard 4414
- Disconnection in two stages

Series 291 DN 5.5 mm (7/32"). Flow capacity of 640 l/min (22.6 CFM). Max working pressure 12 bar (170 PSI). Made of steel. Button style coupling. ISO 6150 C.

Series 381 DN 8 mm (5/16"). Flow capacity of 1,050 l/min (37.1 CFM). Max working pressure 10 bar (150 PSI). Made of steel. Button style coupling. ISO 6150 C.

Series 471 DN 11 mm (7/16"). Flow capacity of 2,350 l/min (83.0 CFM). Max working pressure 8 bar (116 PSI). Made of steel. Button style coupling. ISO 6150 C.



This series includes safety products. 

Soft-Line Couplings

Soft-Line

- Extremely high flow capacity
- Easy to connect
- Strong and durable



Series 300

DN 5.5 mm (7/32"). Flow capacity of 975 l/min (34.4 CFM). Max working pressure 12 bar (170 PSI). Made of zinc-plated steel. High flow coupling with low connection force that is ideal for work on or near delicate surfaces.

Series 310

DN 5.3 mm (7/32"). Flow capacity of 925 l/min (32.7 CFM). Max working pressure 16 bar (230 PSI). Made of zinc-plated steel. ISO 6150 B standard, A-A 59439 standard (former U.S Standard MIL C 4109 1/4"). High flow coupling with low connection force ideal for work on or near delicate surfaces.

Series 320

DN 7.6 mm (5/16"). Flow capacity of 2,100 l/min (74.1 CFM). Max working pressure 16 bar (230 PSI). Made of zinc-plated steel. CEJN original standard, Eurostandard 7.6 (7.4). Coupling with extremely high flow and low connection force. Ideal for work on or near delicate surfaces.

Soft-Line Accessories

- Compatible with all standard 300-series couplings
- Delivered with assembly tool
- Easy to install
- Non-abrasive to surrounding components
- Ideal for work on delicate surfaces

The accessory covers are designed to be added onto couplings to "softens" the edges of quick connect couplings, making them non-abrasive and less likely to cause damage to surrounding components and surfaces.



Multi-Link Systems

- Compact multiple outlets
- Ready-made units, no assembly necessary
- Safety function to reduce noise and prevent recoil accidents

The Multi-Link integrated quick connect couplings come in units of 2 and 3 outlets. The units can also easily be connected to create more access points. Ideal for uncluttering existing work areas or to create new flexible work stations. The integrated couplings provide flexibility and high performance, the design allows for a large number of outlets without restricting the flow with T-connections, bends or elbows. Combine with our high quality polyurethane hose to create a flexible high performance air distribution system.

Series 300 Safety

Series 310 Safety

Series 320 Safety

Series 310 Standard

Series 315 Standard

Series 320 Standard



Aluminum Lightweight Couplings

Series 320

- Extremely high flow capacity
- Easy to connect
- Ultra low weight

DN 7.6 mm (5/16"). Flow capacity of 2100 l/min (74.1 CFM). Max working pressure 16 bar (230 PSI). Made of aluminum. CEJN original standard, Eurostandard 7.6 (7.4). Lightweight couplings with extremely high flow and low connection force.



Straight Braided PUR Hose

- Light and flexible
- Excellent resistance to oil, solvents, and other non-aqueous solutions
- Long service life with outstanding aging qualities

CEJN straight braided hose is an excellent choice for applications requiring a maximum working pressure up to 16 bar (232 PSI). It offers a wide temperature range and high tensile, tear, and impact strength. The hose easily springs back to its original form and has excellent abrasion resistance.



Straight Non-Braided PUR Hose

- Suitable for push-to-connect fittings
- Excellent resistance to oils, solvents, and other non-aqueous solutions
- Long service life with outstanding aging qualities

Light and flexible hose with working pressure of 10 bar. High tensile, tear and impact strength. Made of FDA approved ester-based polyurethane.



Straight Braided Antistatic Hose

- Dissipates electro-static discharge
- Excellent weather resistance
- Extreme flexibility

The electrically conductive hose is made of braided EPDM Rubber that dissipates electro-static discharge and minimizes errant sparks. Working pressure up to 12 bar (170 PSI)



Straight Braided Anti-Spark PUR Hose

- Spark and scorch resistant
- Excellent resistance to oils, solvents, and other non-aqueous solutions
- Long service life with outstanding aging qualities

The hose is resistant to scorching and damage while exposed to sparks in welding or steel cutting environments. Working pressure up to 14 bar (200 PSI) (depending on hose dimension).



Straight Braided Water PUR Hose

- Light and flexible
- Excellent resistance to oils, solvents, and both aqueous and non-aqueous solutions
- Long service life with outstanding aging qualities

Excellent choice for compressed air in damp and wet environments. The hose has high impact strength and is functional in a wide temperature range. It easily springs back to its original form and has excellent abrasion resistance. Working pressure of 10 bar (150 PSI).



PUR Spiral Hose

- Light and flexible
- Excellent resistance to oils, solvents, and both aqueous and non-aqueous solutions
- Long service life with outstanding aging qualities

Spiral hose with excellent recoil ability and crimp resistance. The hose is abrasion resistant and is suitable for applications in a wide temperature range. Working pressure 10 bar (145 PSI).



PUR Hose Kits

- Series 300, 310, 320, 410 couplings and nipples
- Flexible PUR hose with long service life
- Pre-assembled and ready to use

Pre-assembled Hose Kits with spiral or straight hose and Series 300, 310, 320, 410 Standard or Vented Safety couplings and nipples.

- Hose Kits with Series 300** Pre-assembled Hose Kits with spiral or straight hose and Series 300 Standard or Vented Safety couplings and nipples.
- Hose kits with Series 310** Pre-assembled Hose Kits with spiral or straight hose and Series 310 Standard or Vented Safety couplings and nipples.
- Hose Kits with Series 320** Pre-assembled Hose Kits with spiral or straight hose and Series 320 Standard or Vented Safety couplings and nipples.
- Hose Kits with Series 410** Pre-assembled Hose Kits with spiral or straight hose and Series 410 Vented Safety couplings and nipples.



Antistatic Hose Kits

- Combined with couplings and nipples
- Flexible EPDM rubber hose that dissipates electro-static discharge
- Pre-assembled and ready to use

Pre-assembled Hose Kits with braided EPDM rubber hose and combined with couplings and nipples



PUR Hose Kits

with Adapters and Accessories

- Hose kits in different configurations
- Light and flexible hose
- Pre-assembled and ready to use

Pre-assembled kits with hose, adapters and accessories.



Hose Reels

Compressed Air

- High flow capacity
- Low pressure drop
- Strong and durable

Hose reels for compressed air. Available in several casing sizes and hose dimensions. Features high-quality, oil-resistant polyurethane hose and enclosed casing for longer service life.



Hose Reels

Water

- Suitable for damp or wet environments
- Compatible with water-based fluids, such as acetylene glycol
- Strong and durable

Hose reels for water. Also ideal for compressed air applications in damp and wet environment. Available in several casing sizes and hose dimensions. Features high-quality, oil-resistant polyurethane hose and enclosed casing for longer service life.



Cable Reels

Electrical

- Sturdy housing protects enclosed cable and reel mechanism
- Strong and durable
- Flexible high quality rubber cable

Cable reels available in two casing sizes. Features a thermal overload protection circuit. The cable is high made of high quality rubber. Available with schuko or CH plugs. CEJN cable reels are CE marked.



903 FRL Products

CEJN's Filtration, Regulation and Lubrication (FRL) products are designed to provide constant high-quality air within compressed air systems. CEJN's FRL products are easy to assemble as well as maintain and can be top- or side-mounted. The products are available as stand-alone components or in complete system packages.



Adapters

Stream-Line Connections

- Fixed and swivel connections
- Available with kink protectors

CEJN Stream-Line connections are available with swivel and fixed adapters, both are offered with or without kink protectors.

Connectors, Adapters, Bushings, & Plugs

- Hose connectors, male-to-male adapters, bushings, plugs, cross, T-, L-, and Y-pieces, ball valves

A wide range of hose connectors; male-to-male adapters; bushings; plugs; cross, T-, L-, and Y-pieces; and ball valves for maximum flexibility in a variety of applications.



Compact Pressure Tester

- Easy to use
- Convenient way to spot-check pressure
- Lightweight

The CEJN Compact Pressure Tester provides a fast method to measure system outlet pressure and ensure air systems are working to specifications.



Series 208 Air & Fluid Guns

- High blowing force
- Easily regulated infinite flow
- Ergonomic, comfortable controls

Blowgun with ergonomical controls. Suitable for both air and non-explosive liquids. Available in several styles, including standard full-flow, noise-reducing Star-Tip, and a pressure-regulated safety version.



Series 210 MultiFLOW Air & Fluid Gun

- Unmatched blowing force
- Adjustable flow control
- Adjustable beam

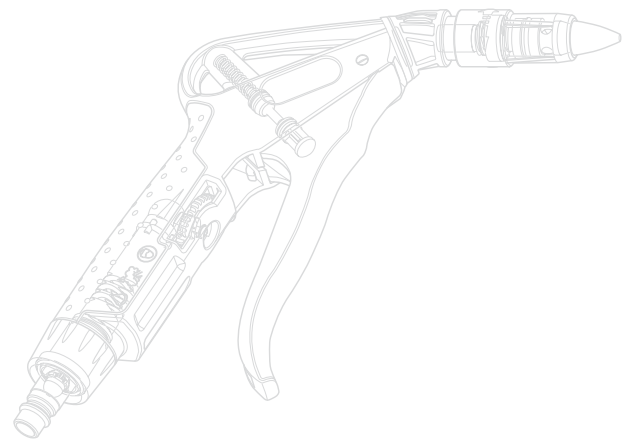
CEJN's new MultiFLOW blowgun effectively cleans surfaces with air or water with unparalleled blowing force. Precise flow is achieved by adjustable flow settings. Nozzle adjusts from narrow jet to wide beam. The MultiFLOW meets and exceeds OSHA safety standards when dead-ended.



Air & Fluid Guns Accessories

- Removable nozzles
- Extention tubes in various lengths
- Safety versions diverts the air when dead-ended
- Noise reducing versions

Removable accessories for Series 208 blowgun. Various tubes and tips are available to meet specific application requirements.



Shop-Displays & Packages

Win-win Solutions for Profitable Business

CEJN has been a producer of high performance, secure and innovative products for over 50 years. We are confident that our high quality products are customer's first choice, and are also reflected on product packaging. If you want to catch customers' attention, make sure to stock up on CEJN pneumatic products. Our visual presence together with the possibility of demonstrating the products, makes for a powerful sales tool that will maximize your opportunity to increase business.





Breathing Air Products

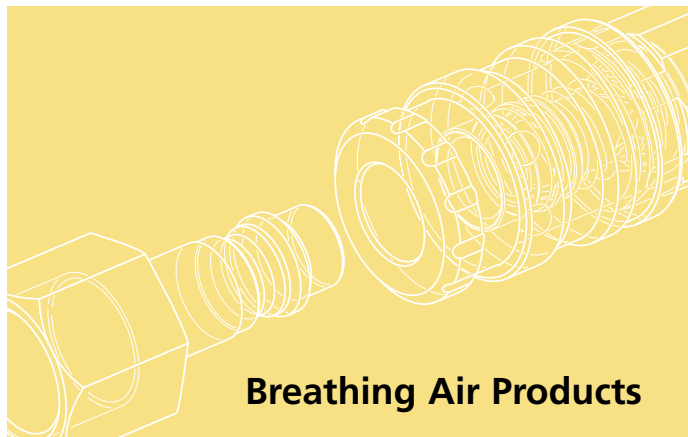
The Vital Connection – fully in line with market demands and requirements

CEJN's Breathing Air couplings have a high-flow rate, a broad connection range and require only minimal force to connect. With the vital function of supplying breathing air, the need for safety and reliability is of the utmost importance. CEJN products are designed and manufactured to exacting standards, which has resulted in years of trouble-free service. Our breathing air range consists of couplings and nipples, hose, hose kits and accessories.

CEJN –WHEN LIVES DEPEND ON THE CHOICES YOU MAKE

In the field of breathing air there are no compromises to be made regarding quality and safety. CEJN has extra stringent tests to ensure that the high quality demands are achieved, couplings and nipples for breathing air are thoroughly examined and tested individually to guarantee that each coupling and nipple that leaves our production is of the highest quality. Your safety is our top priority.





Breathing Air Products

Series 141

10 bar (145 PSI) / 86 l/min (3 CFM)

- One-hand operated
- Extremely small external dimensions
- Suitable for supply of liquids in closed units

DN 2.5 mm. Air flow capacity of 86 l/min (3.0 CFM) and water flow capacity of 3.5 l/min (0.8 GPM UK). Max working pressure 10 bar (150 PSI). The series is made of chrome-plated brass and suitable for compressed air, fluid and vacuum applications.



Series 221

35 bar (508 PSI) / 580 l/min (20.5 CFM)

- One-hand operated
- High-flow capacity
- Extremely small outer dimensions

DN 5.0 mm (3/16"). Air flow capacity of 580 l/min (20.5 GPM uk). Max working pressure 35 bar (508 PSI). Made of chrome-plated brass with NBR seal.



Series 341

35 bar (508 PSI) / 1950 l/min (69 CFM)

- One-hand operated to connect
- Automatic safety locking feature
- Large range of connections available
- Extremely high flow capacity

DN 7.4 mm (9/32"). Flow capacity of 1950 l/min (68.8 CFM). Max working pressure 35 bar (508 PSI). Made of nickel-plated brass with NBR seals. Ideal for cushion inflation and diving applications.



Series 342

35 bar (508 PSI) / 1950 l/min (69 CFM)

- Automatic safety-locking feature
- Extremely high flow capacity
- One-hand operated

DN 7.4 mm (9/32"). Flow capacity of 1950 l/min (68.8 CFM). Max working pressure 35 bar (508 PSI). Made of zinc-plated steel/brass. The automatic safety-locking feature prevents unintentional disconnection.



Series 344

35 bar (508 PSI) / 1950 l/min (69 CFM)

- One-hand operated to connect
- Automatic safety locking feature
- Large range of connections available
- Extremely high flow capacity
- Light weight
- Stainless steel nipples available

DN 7.4 mm (9/32"). Flow capacity of 1950 l/min (68.8 CFM). Max working pressure 35 bar (508 PSI). Made of nickel-plated brass with NBR seals. Primarily for breathing air firefighting applications, but is also well suited for diving equipment.



Series 345

35 bar (508 PSI) / 1100 l/min (39 CFM)

- One-hand operated to connect
- Automatic safety locking feature
- Large range of connections available
- Extremely high flow capacity

DN 6.2 mm (1/4"). Flow capacity of 1100 l/min (38.8 CFM). Max working pressure 35 bar (508 PSI). Made of nickel-plated brass with NBR seals. Well-suited for breathing air diving applications and for applications that demand a closed system when disconnected, such as surface air diving (hookah).



Series 346

35 bar (508 PSI) / 800 l/min (28 CFM)

- One-hand operated to connect
- Automatic safety locking feature
- Large range of connections available
- Extremely high flow capacity

DN 7.0 mm (9/32"). Flow capacity of 800 l/min (28.2 CFM). Max working pressure 35 bar (508 PSI). Made of stainless steel (AISI 316) with NBR seals. Ideal choice for applications in tough environments.



Series 347

35 bar (508 PSI) / 1100 l/min (39 CFM)

- One-hand operated to connect
- High flow capacity
- Automatic safety locking feature

DN 6.2 mm (1/4"). Flow capacity of 1100 l/min (38.8 CFM). Max working pressure 35 bar (508 PSI). Made of nickel-plated brass with NBR seals. The nipple is non-interchangeable with other CEJN series couplings making it useful in applications with multiple access points for different media.



Series 348

10 bar (145 PSI) / 650 l/min (23 CFM)

- One-hand operated to connect
- Stainless steel valve opener
- Automatic safety locking feature

DN 4.1 mm (5/32"). Flow capacity of 650 l/min (22.9 CFM). Max working pressure 10 bar (145 PSI). Made of nickel-plated brass/stainless steel with EPDM seals. Well-suited for fire-fighting applications.



Series 441

35 bar (508 PSI) / 3950 l/min (140 CFM)

- One-hand operated to connect
- High flow capacity
- Automatic safety locking feature

DN 10.4 mm (13/32"). Flow capacity of 3950 l/min (139.4 CFM). Max working pressure 35 bar (508 PSI). Made of nickel-plated brass with NBR seals. Well-suited for air cushion inflation and breathing air diving applications in which extra high airflow is required.



Series 442

35 bar (508 PSI) / 3950 l/min (140 CFM)

- One-hand operated
- High flow capacity
- Automatic safety locking feature

DN 10.4 mm (13/32"). Flow capacity of 3950 l/min (140.0 CFM). Max working pressure 35 bar (508 PSI). Made of zinc-plated brass with NBR seals. Well-suited for large supply lines for portable equipment with multiple air outlets.



Spiral Anti-Spark Hose

Non-Braided

- Spark and scorch resistant
- Excellent resistance to oils, solvents, and other non-aqueous solutions
- Long service life and outstanding aging abilities

Spiral hose resistant to scorching and damage while exposed to sparks in welding or steel cutting environments. Working pressure of 10 bar (150 PSI). The hose is designed for compressed air and breathing air applications.



Anti-Spark Hose Kits

with Series 342

- Series 342 coupling and nipples
- Anti-spark hose, resistant to sparks and scorching
- Pre-assembled and ready to use

Pre-assembled kits with anti-spark spiral hose and series 342 coupling and nipples.



Adapters

- Hose connectors, male-to-male adapters, bushings, plugs, cross, T-, L-, and Y-pieces, ball valves

A wide range of hose connectors; male-to-male adapters; bushings; plugs; cross, T-, L-, and Y-pieces; and ball valves for maximum flexibility in a variety of applications.





Fluid Products

The Optimum Choice for Performance, Convenience and Safety

CEJN has been a leading producer of fluid couplings for over 45 years resulting in numerous different series for low- and medium-pressure applications, offering just the right coupling solution for virtually any fluid transfer application. Our products are available in both valved and valveless design for working pressure up to 200 bar (2900 PSI). Because streamlined fluid flow is a critical requirement in system operation, all CEJN couplings undergo extensive testing of functionality and quality to ensure top performance at the jobsite.

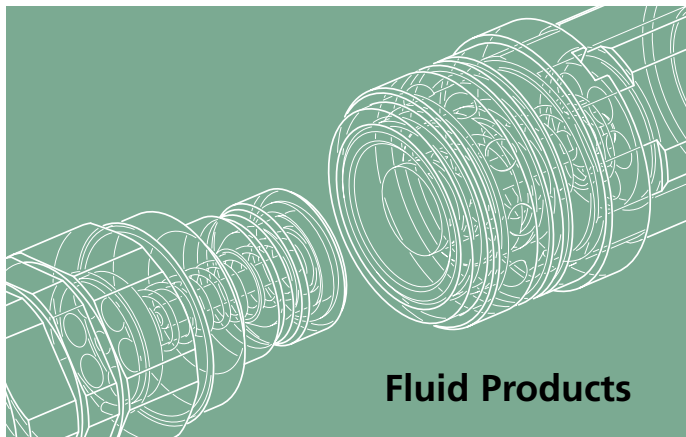
SAFETY FEATURES

Our latest success story in the fluid field is our Non-Drip Series. The series is designed to be a range with almost endless combination possibilities with three optional safety features to eliminate cross connection. Offered in both valved and valveless couplings and nipples with a flow capacity of up to 803 l/min (176.6 GPM UK) this series is the right product for each and every application.

UNRESTRICTED FLOW

The Full-Flow series is our newest fluid coupling offering unrestricted flow for low pressure fluid applications. Features surrounding the Full-Flow coupling are no flow restriction, compact design, easy to maintain and service, tarnish-resistant finish and of course they had to be economical. In addition safety options are available. With the success of Non-Drip in mind, we at CEJN expect no less from our new Full-Flow range.





Fluid Products

Non-Drip Brass Couplings & Nipples

- **Non-Drip design**
- **Unlimited combination possibilities**
- **Different safety levels to avoid mixing media**

CEJN's Non-Drip couplings are designed solely for low-pressure fluid and vacuum applications. The product range has unlimited combination possibilities and is ideal for connecting all types of fluid lines.



- Series 267** DN 4.0 mm (5/32"). Flow capacity for double shut-off version of 17 l/min (3.7 GPM UK). Max working pressure 20 bar (290 PSI). Made of nickel-plated brass with nitrile seals.
- Series 467** DN 6.0 mm (1/4"). Flow capacity for double shut-off version of 36 l/min (7.9 GPM UK). Max working pressure 20 bar (290 PSI). Made of nickel-plated brass with nitrile seals.
- Series 567** DN 9.0 mm (11/32"). Flow capacity for double shut-off version of 76 l/min (16.7 GPM UK). Max working pressure 20 bar (290 PSI). Made of nickel-plated brass with nitrile seals.
- Series 667** DN 14.0 mm (9/16"). Flow capacity for double shut-off version of 168 l/min (37.0 GPM UK). Max working pressure 20 bar (290 PSI). Made of nickel-plated brass with nitrile seals.
- Series 767** DN 19.0 mm (3/4"). Flow capacity for double shut-off version of 306 l/min (67.3 GPM UK). Max working pressure 20 bar (290 PSI). Made of nickel-plated brass with nitrile seals.

Full-Flow Brass Couplings & Nipples

- **Valveless design**
- **Unrestricted flow**
- **Tarnish-resistant finish**

CEJN full-flow couplings and nipples are specially designed for low-pressure fluid applications. They feature a valveless design that permits unrestricted, high flow.



- Series 701** DN 25 mm (1"), DN 38 mm (1½"), DN51 mm (2"). Max working pressure 20 bar (290 psi). Made of nickel-plated brass.
- Series 851** DN 25 mm (1"), DN 38 mm (1½"), DN51 mm (2"). Max working pressure 20 bar (290 psi). Made of nickel-plated brass.
- Series 921** DN 25 mm (1"), DN 38 mm (1½"), DN51 mm (2"). Max working pressure 20 bar (290 psi). Made of nickel-plated brass.

Non-Drip Stainless Steel Couplings & Nipples

- **Non-Drip design**
- **Unlimited combination possibilities**
- **Different safety levels to avoid mixing media**

CEJN's Non-Drip couplings are designed solely for low-pressure fluid and vacuum applications. The product range has unlimited combination possibilities and is ideal for connecting all types of fluid lines.



- Series 277** DN 4.0 mm (5/32"). Flow capacity for double shut-off version of 17 l/min (3.7 GPM UK). Max working pressure 20 bar (290 PSI). Made of stainless steel (AISI 316) with FPM (Viton®) seals.
- Series 477** DN 6.0 mm (1/4"). Flow capacity for double shut-off version of 36 l/min (7.9 GPM UK). Max working pressure 20 bar (290 PSI). Made of stainless steel (AISI 316) with FPM (Viton®) seals.
- Series 577** DN 9.0 mm (11/32"). Flow capacity for double shut-off version of 76 l/min (16.7 GPM UK). Max working pressure 20 bar (290 PSI). Made of stainless steel (AISI 316) with FPM (Viton®) seals.
- Series 677** DN 14.0 mm (9/16"). Flow capacity for double shut-off version of 168 l/min (37.0 GPM UK). Max working pressure 20 bar (290 PSI). Made of stainless steel (AISI 316) with FPM (Viton®) seals.
- Series 777** DN 19.0 mm (3/4"). Flow capacity for double shut-off version of 306 l/min (67.3 GPM UK). Max working pressure 20 bar (290 PSI). Made of stainless steel (AISI 316) with FPM (Viton®) seals.

Full-Flow Stainless Steel Couplings & Nipples

- **Valveless design**
- **Unrestricted flow**
- **Tarnish-resistant finish**

CEJN full-flow couplings and nipples are specially designed for low-pressure fluid applications. They feature a valveless design that permits unrestricted, high flow.



- Series 702** DN 25 mm (1"), DN 38 mm (1½"), DN 51 mm (2"). Max working pressure 20 bar (290 psi). Made of electro-polished AISI 316 stainless steel.
- Series 852** DN 25 mm (1"), DN 38 mm (1½"), DN 51 mm (2"). Max working pressure 20 bar (290 psi). Made of electro-polished AISI 316 stainless steel.
- Series 922** DN 25 mm (1"), DN 38 mm (1½"), DN 51 mm (2"). Max working pressure 20 bar (290 psi). Made of electro-polished AISI 316 stainless steel.

Series 225

- **One-hand operated**
- **High-flow capacity**
- **Small external dimensions**

DN 3.0 mm (1/8"). Flow capacity of 8 l/min (1.8 GPM UK). Max working pressure 35 bar (508 PSI). Made of chrome-plated brass with NBR seal.



Series 141

- Extremely small outside dimensions
- One-hand operated
- Suitable for several media

DN 2.5 mm (3/32"). Flow capacity of 3.5 l/min (0.8 GPM UK). Max working pressure 10 bar (150 PSI). Made of chrome-plated brass with NBR seal. Available in single-shut off style (valved coupling - valvless nipple).



Series 321

- One-hand operated
- Extremely high-flow capacity
- Large range of connections

DN 7.4 mm (9/32"). Flow capacity of 78 l/min (17.1 GPM UK). Max working pressure 35 bar (508 PSI). Made of nickel-plated steel/brass with NBR or FPM seal.



Series 322

- One-hand operated
- High burst/working pressure
- Extremely high-flow capacity

DN 7.4 mm (9/32"). Flow capacity of 90 l/min (19.8 GPM UK). Max working pressure 200 bar (2900 PSI). Made of nickel-plated steel/brass with NBR or FPM seal.



Series 324

- Small external dimensions
- One-hand operated
- Low connection force

DN 6.2 mm (1/4"). Flow capacity of 42 l/min (9.2 GPM UK). Max working pressure 35 bar (508 PSI). Made of nickel-plated brass with NBR, FPM or EPDM seal.



Series 326, DN 6.2

- Handles tough media
- One-hand operated
- Dust caps included as standard

DN 6.2 mm (1/4"). Flow capacity for the single-shut off version of 28 l/min (6.2 GPM UK). Max working pressure 70 bar (1015 PSI). Made of stainless steel (AISI 316) with NBR or FPM seal. Available in single and double shut-off versions.



Series 411

- One-hand operated
- Extremely high-flow capacity
- Large range of connections

DN 10.4 mm (13/32"). Flow capacity of 156 l/min (34.32 GPM UK). Max working pressure 35 bar (508 PSI). Made of nickel-plated brass with NBR seal.



Series 412

- One-hand operated
- Extremely high-flow capacity
- Suitable for high-pressure water applications

DN 10.4 mm (13/32"). Flow capacity of 167 l/min (36.7 GPM UK). Max working pressure 200 bar (2900 PSI). Made of nickel-plated brass with NBR seal. Available in single shut-off and straight through versions.



Series 414

- Low connection force
- High-flow capacity
- Small external dimensions

DN 8.9 mm (11/32"). Flow capacity of 71 l/min (15.6 GPM UK). Max working pressure 35 bar (508 PSI). Made of chrome-plated brass with NBR seal.



Series 416

- Low connection force
- High-flow capacity
- Small external dimensions

DN 8.9 mm (11/32"). Flow capacity for the single shut-off version of 85 l/min (18.7 GPM UK). Max working pressure 35 bar (508 PSI). Made of stainless steel (AISI 316) with NBR or FPM seal.



Series 417

- Adapted to home and garden use
- High-flow capacity
- Large range of connections

DN 10.5 mm (13/32"). Flow capacity in straight through version of 226 l/min (49.7 GPM UK). Max working pressure 20 bar (290 PSI). Made of chrome-plated brass with NBR seal. Available in single shut-off and straight through versions.



Series 604

- One-hand operated
- High-flow capacity
- Low connection force

DN 14.5 mm (9/16"). Flow capacity for the single shut-off version of 205 l/min (45.1 GPM UK). Max working pressure 35 bar (508 PSI). Made of chrome-plated brass with NBR or FPM seals. Available in double or single shut-off versions.



Series 606

- One-hand operated
- High-flow capacity
- Low connection force

DN 14.5 mm (9/16"). Flow capacity for the single shut-off version of 205 l/min (45.1 GPM UK). Max working pressure 35 bar (508 PSI). Made of stainless steel with FPM seal. Available in double or single shut-off versions.



Series 704

- One-hand operated
- High-flow capacity
- Low connection force

DN 19.0 mm (3/4"). Flow capacity in single shut-off version of 390 l/min (85.8 GPM UK). Max working pressure 35 bar (508 PSI). Made of chrome-plated brass with NBR or FPM seals. Available in double or single shut-off versions.



Series 706

- One-hand operated
- High-flow capacity
- Low connection force

DN 19.0 mm (3/4"). Flow capacity in single shut-off version of 390 l/min (85.8 GPM UK). Max working pressure 35 bar (508 PSI). Made of stainless steel with FPM seal. Available in double or single shut-off versions.



Hose

- Light and flexible
- Excellent resistance to oils, solvents, and both aqueous and non-aqueous solutions
- Long service life with outstanding aging qualities

CEJN straight braided polyurethane (PUR) hose is suitable for both water and compressed air applications and is designed for working pressures up to 10 bar. It has a two-layer of blue ether based PUR and a reinforced middle layer of polyester fibre, this gives it an extended temperature range of -30 °C up to +60 °C.



Accessories

CEJN offers a wide range of hose connectors; male-to-male adapters; bushings; plugs; T-, L-, and Y-pieces; and crosses for compressed air and liquid applications. A wide range of both cylindrical and conical threads is available for maximum flexibility in a variety of applications.





Hydraulic Products

Reliable products with smart solutions for all applications

A tough work environment requires high quality products to count on in all situations. The need to connect components quickly safely and securely exists in all industries and is becoming more important. CEJN's hydraulic range is suitable for applications with operating pressures up to 720 bar (10 440 PSI) for both industrial and mobile hydraulics. In the range CEJN offers quick connect couplings of different kinds, a multi-plate flat face solution called Multi-X, hydraulic pressure testing systems and WEO Plug-In fittings. With this wide range of products CEJN aims to provide solutions for high performing, clean and leak free hydraulic systems.

X-SERIES (ISO 16028) - FOR A CLEAN AND LEAK FREE HYDRAULIC SYSTEM

By using our flat face X-series you minimize contamination in your hydraulic system, avoid pollution of the environment as you don't have spillage at disconnection and at the same time you have a coupling with the highest performance on the market to withstand the toughest applications. By using an eliminator nipple from our X-64 series you will also make it possible to connect with high residual pressure in the system, which is a very common problem in all types of applications.

MULTI-X – FLEXIBLE MULTI CONNECTION

The latest addition to CEJN's hydraulic range is our Multi-X and with the end-user in mind the goal of this multi connection solution is to give as many benefits as possible. Designed to meet and exceed the demands of even the most challenging mobile hydraulic applications. It allows you to install it in the most confined spaces, minimize downtime during tool change, connect hydraulic lines under residual pressure, eliminate cross connection and allowing working pressure up to 35 MPa (5075 PSI), all this and it is easily operated in a safe and ergonomic way. Its innovative design rivals and surpasses other existing multi-plates on the market proving there is no other way to go than CEJN.

WEO PLUG-IN – THE CLEAN AND LEAK FREE HIGH PERFORMANCE FITTING

In addition our hydraulic range also offers WEO Plug-In fittings, a perfect replacement for ordinary screw fittings especially in applications where you have problems with leakage, short life time on hoses, space problems etc. WEO can also be used for streamlining the hydraulic hose assembly as it will cut down assembly time radically and at the same time improve the quality on your product as it extends the hose life due to its self-aligning feature. In addition you will get a clean and leak free hydraulic system. With WEO you simply plug the fitting into the hydraulic system and if you need to disconnect, only a regular screwdriver is needed. No wonder so many have invested in our WEO Plug-In technology.

X65 Range - Premium ISO 16028 Flat Face Quick Couplings

- Minimize Contamination of your Hydraulic system
- Spill free disconnection
- High performance
- Connect under pressure, only limited by your strength

BODY SIZE			TYPE	RATED FLOW @ $\Delta P = 1 \text{ BAR (14.5 PSI)}$		MAX. WORKING PRESSURE		MATERIAL	SEAL
INCH	NOM. DIA	DASH		L/MIN	GPM UK	BAR	PSI		
1/8	5	-02	SERIES 165	3.6	0.8	720	10440	Steel	NBR/PUR
1/4	6.3	-04	SERIES 265	12	2.6	500	7250		
3/8	10	-06	SERIES 365	23.9	5.3	400	5800		
1/2	12.5	-08	SERIES 565	47.2	10.4	400	5800		
5/8	16	-10	SERIES 665	74	16.3	400	5800		
3/4	19	-12	SERIES 765	100	22.0	400	5800		
1	25	-16	SERIES 065	150	33.0	350	5080		



X66 Range - ISO 16028 Flat Face Stainless Steel

- All metal components made of ASI 316 stainless steel
- Minimize Contamination of your Hydraulic system
- Spill free disconnection
- High performance

BODY SIZE			TYPE	RATED FLOW @ $\Delta P = 1 \text{ BAR (14.5 PSI)}$		MAX. WORKING PRESSURE		MATERIAL	SEAL
INCH	NOM. DIA	DASH		L/MIN	GPM UK	BAR	PSI		
1/4	6.3	-04	SERIES 266	12	2.6	250	3630	Steel	FPM
3/8	10	-06	SERIES 366	23.9	5.3	250	3630		
1/2	12.5	-08	SERIES 566	47.2	10.4	250	3630		
3/4	19	-12	SERIES 766	100	22.0	250	3630		



X62 Range - ISO 16028 Flat Face Quick Couplings Interchange

- Cost effective design
- Minimize Contamination of your Hydraulic system
- Spill free disconnection
- High performance

BODY SIZE			TYPE	RATED FLOW @ $\Delta P = 1 \text{ BAR (14.5 PSI)}$		MAX. WORKING PRESSURE		MATERIAL	SEAL
INCH	NOM. DIA	DASH		L/MIN	GPM UK	BAR	PSI		
1/4	6.3	-04	SERIES 262	11	2.4	250	3630	Steel	NBR
3/8	10	-06	SERIES 362	23	5.1	250	3630		
1/2	12.5	-08	SERIES 562	41.7	9.2	250	3630		
1	25	-16	SERIES 962	189	41.6	250	3630		



X64 Range - ISO 16028 Flat Face Pressure Eliminator Nipples

- Connection under high residual pressure
- Minimize Contamination of your Hydraulic system
- Spill free disconnection
- High performance

BODY SIZE			TYPE	RATED FLOW @ $\Delta P = 1 \text{ BAR (14.5 PSI)}$		MAX. WORKING PRESSURE		MATERIAL	SEAL
INCH	NOM. DIA	DASH		L/MIN	GPM UK	BAR	PSI		
1/4	6.3	-04	SERIES 264	10	2.2	500	7250	Steel	NBR/PUR
3/8	10	-06	SERIES 364	23.9	5.3	400	5800		
1/2	12.5	-08	SERIES 564	42.3	9.3	400	5800		
5/8	16	-10	SERIES 664	66.8	14.7	400	5800		
3/4	19	-12	SERIES 764	98	21.6	400	5800		
1	25	-16	SERIES 064	150	33.0	350	5080		



Nordic Range / 525 - High Performance Poppet Type Couplings

- Double sealing feature - no spray at connection
- High durability
- Extra security locking ring
- Optional pressure eliminator on both coupling and nipple

BODY SIZE			TYPE	RATED FLOW @ $\Delta P = 1 \text{ BAR (14.5 PSI)}$		MAX. WORKING PRESSURE		MATERIAL	SEAL
INCH	NOM. DIA	DASH		L/MIN	GPM UK	BAR	PSI		
1/4	6.3	-04	SERIES 525, DN6.3	29	6.4	450	6530	Steel	NBR
3/8	10	-06	SERIES 525, DN10	69	15.2	350	5080		
1/2	12.5	-08	SERIES 525, DN12.5	130	28.6	300	4350		
3/4	20	-12	SERIES 525, DN20	250	55.0	280	4060		
1	25	-16	SERIES 525, DN25	370	81.4	250	3630		



Nordic Range / 526 - Stainless steel High Performance Poppet Type Couplings

- Double sealing feature - no spray at connection
- Extra security locking ring
- All metal components made of AISI 316 stainless steel

BODY SIZE			TYPE	RATED FLOW @ $\Delta P = 1 \text{ BAR (14.5 PSI)}$		MAX. WORKING PRESSURE		MATERIAL	SEAL
INCH	NOM. DIA	DASH		L/MIN	GPM UK	BAR	PSI		
1/4	6.3	-04	SERIES 526, DN6.3	29	6.4	250	3630	Stainless steel	FPM
3/8	10	-06	SERIES 526, DN10	69	15.2	300	4350		
1/2	12.5	-08	SERIES 526, DN12.5	130	28.6	300	4350		
3/4	20	-12	SERIES 526, DN20	250	55.0	200	2900		
1	25	-16	SERIES 526, DN25	370	81.4	200	2900		



X-Series Accessories

For the X-series we have plastic dust caps, flip dust caps and seal kits available. The dust caps are an important part in prolonging the couplings life time and to avoid contamination in your hydraulic system. The seal kits consists of a PUR seal or one o-rings and one backup, depending on model, for replacement of the front seal in the nipples. The flip dust caps are in general intended for fixed mounted couplings in applications where you want be sure that the dust cap is on when the coupling is disconnected. Flip dust caps are available in the sizes 3/8" and 1/2".



Nordic Range Accessories

Included as accessories in the Nordic range are dust caps for both couplings and nipples and seal kits for couplings. The dust caps can be joined together when the coupling and nipple are connected. This keeps the dust caps clean, which prevents dust and debris from entering the system. The seal kits contain two O-rings and a backup ring for replacing the outer seals in the coupling.



Multi-X Duo - Unique Multi solution for two lines

- Compact design
- Great flexibility and high performance
- Easy and ergonomic to Maneuver - perpendicular lever movement
- Connect with residual pressure



NUMBER OF CONNECTIONS	BODY SIZE			TYPE	RATED FLOW @ ΔP = 1 BAR (14.5 PSI)		MAX. WORKING PRESSURE		MATERIAL	SEAL
	INCH	ISO	DASH		L/MIN	GPM UK	BAR	PSI		
	2	3/8"	10		-06	Multi-X Duo 10	18.4	4.0		
2	1/2"	12.5	-08	Multi-X Duo 12,5	37.9	8.3	350	5080		
2	3/4"	19	-12	Multi-X Duo 19	73.4	16.1	350	5080		

Multi-X Quattro - Unique Multi solution for four lines

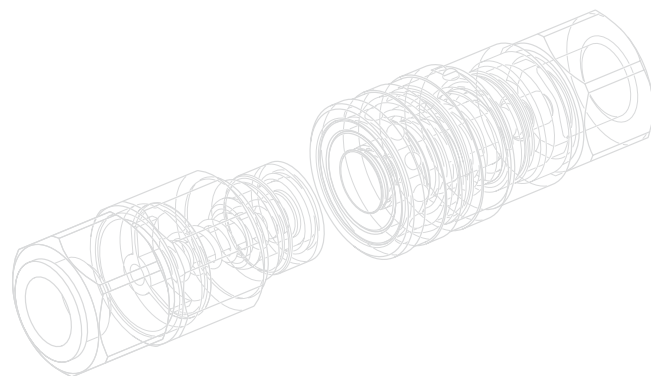
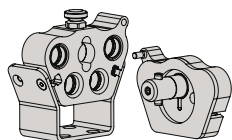
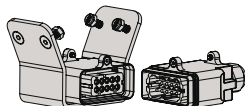
- Compact design
- Great flexibility and high performance
- Easy and ergonomic to Maneuver - perpendicular lever movement
- Connect with residual pressure



NUMBER OF CONNECTIONS	BODY SIZE			TYPE	RATED FLOW @ ΔP = 1 BAR (14.5 PSI)		MAX. WORKING PRESSURE		MATERIAL	SEAL
	INCH	ISO	DASH		L/MIN	GPM UK	BAR	PSI		
	4	3/8"	10		-06	Multi-X Quattro 10	18.4	4.0		
2	3/8"	10	-06	Multi-X Quattro 10/12.5	18.4	4.0	350	5080		
2	1/2"	12.5	-08		37.9	8.3	350	5080		
4	1/2"	12.5	-08	Multi-X Quattro 12.5/19	37.9	8.3	350	5080		
2	1/2"	12.5	-08		37.9	8.3	350	5080		
2	3/4"	19	-12	Multi-X Duo 19	73.4	16.1	350	5080		

Multi-X Accessories

For the Multi-X range there is a number of different accessories available to adapt Multi-X to your application and give as many benefits as possible. You can add electric connectors, heavy duty parking docks and covers. We also have a full range of spare parts for quick and easy repair if a component is worn out or there has been an accidental damage on a component.



Classic Range - CEJN Unique Profile

- One-hand operated
- Small external dimensions
- Extremely low connection force

BODY SIZE			TYPE	RATED FLOW @ $\Delta P = 1 \text{ BAR (14.5 PSI)}$		MAX. WORKING PRESSURE		MATERIAL	SEAL
INCH	NOM. DIA	DASH		L/MIN	GPM UK	BAR	PSI		
1/4	6.3	-04	SERIES 325	33	7.3	250	3630	Brass/steel	NRB
3/8	10	-06	SERIES 415	61	13.4	250	3630		
1/2	12.5	-08	SERIES 605	167	36.7	320	4640		
3/4	19	-12	SERIES 705	290	63.8	320	4640		



Snap-Check Monitoring System

Snap-Check / 358 - Quick Connect pressure testing

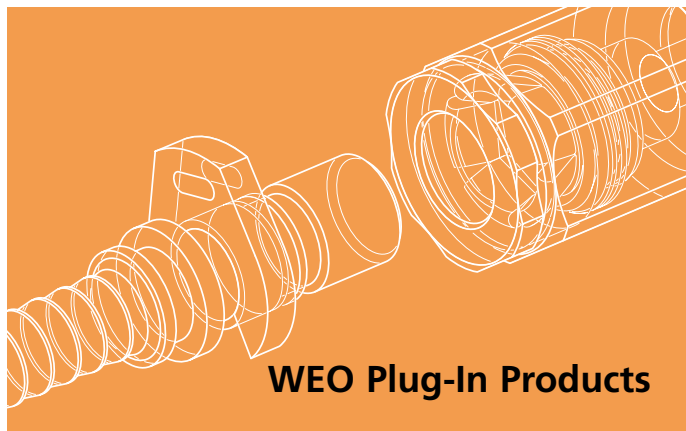
The Snap-Check pressure testing system easily monitors and diagnoses fluid systems. It identifies operating pressure surges without the need for a permanently installed gauge. The maximum working pressure of 600 bar (8700 psi) ensures extra long, leak free service and unsurpassed reliability. The system features quick to connect couplings and nipples. Also available are hoses, gauges and a sturdy carrying case.



Press-Check Monitoring System

Press-Check / 359 - Screw to Connect pressure testing (ISO 15171-2)

The Press-Check pressure testing system easily monitors and diagnoses fluid systems. It identifies operating pressure surges without the need for a permanently installed gauge. The Press-Check system features screw-to-connect couplings and nipples in a wide range of connections. Available are also hoses, fittings, gauges and dust caps.



WEO Plug-In Products

Nipples - Series 710

Straight Hose Connection

- Plug-In nipples
- Straight hose connection
- For one/two wire braided hydraulic hose
- Working pressure up to 350 bar (5000 PSI)

Plug-In nipples with straight hose connections for one/two wire braided hydraulic hose in sizes 1/4" to 1"



Nipples - Series 712

45° Hose Connection

- Plug-In nipples
- 45° hose connection
- For one/two wire braided hydraulic hose
- Working pressure up to 350 bar (5000 PSI)

Plug-In nipples with 45° hose connections for one/two wire braided hydraulic hose in sizes 1/4" to 3/4"



Nipples - Series 714

90° Hose Connection

- Plug-In nipples
- 90° hose connection
- For one/two wire braided hydraulic hose
- Working pressure up to 350 bar (5000 PSI)

Plug-In nipples with 90° hose connections for one/two wire braided hydraulic hose in sizes 1/4" to 3/4"



Nipples - Series 716**Straight Hose Connection**

- Plug-In nipples
- Straight hose connection
- For one/two wire braided hydraulic hose
- For use with the WEO swivel series 860

Plug-In nipples with straight hose connections for one/two wire braided hydraulic hose in sizes 3/8" to 1". This nipples are specifically made to correspond to the WEO Plug-In swivel Series 860.

**Nipples - Series 721****Female plug**

- Plug-In nipples
- Working pressure up to 350 bar (5000 PSI)

Plug nipples in size 1/4" to 1"

**Nipples - Series 723****Male Plug**

- Plug-In nipples
- Stop nipples
- Working pressure up to 350 bar (5000 PSI)

Plug-In stop nipples in size 1/4" to 1"

**Nipples - Series 724****Male Plug G-thread**

- Plug-In nipples
- Working pressure up to 350 bar (5000 PSI)

Plug-In stop nipples in size 1/4" to 1"

**Nipples - Series 727****Male Plug JIC 37°**

- Plug-In nipples
- Working pressure up to 350 bar (5000 PSI)

Plug-In stop nipples in size 1/4" to 3/4"

**Couplings - Series 810****External G-Thread (ISO 228/1)**

- Plug-In couplings
- External G-thread (ISO 228/1)
- Working pressure up to 350 bar (5000 PSI)

Plug-In couplings with external G-thread (ISO 228/1)

**Couplings- Series 811****Female plug**

- Plug-In couplings
- Stop coupling
- Working pressure up to 350 bar (5000 PSI)

Plug-In stop coupling in sizes 1/4" up to 1"

**Couplings - Series 813****Bulkhead**

- Plug-In couplings
- For bulkhead installation
- Working pressure up to 350 bar (5000 PSI)

Plug-In bulkhead couplings in sizes 1/4" up to 1"



Couplings - Series 817

Straight Hose Connection

- Plug-In couplings
- Straight hose connection
- For one/two wire braided hydraulic hose
- Working pressure up to 350 bar (5000 PSI)

Plug-In couplings with straight hose connections for one/two wire braided hydraulic hose in sizes 1/4" up to 1"



Couplings - Series 826

SAE J514 O-Ring Boss

- Plug-In couplings
- SAE J514 O-Ring Boss
- Working pressure up to 350 bar (5000 PSI)

Plug-In couplings SAE J514 O-ring Boss in sizes 1/4" up to 1"



Couplings - Series 830

External G-Thread with Integral Rubber Seal

- Plug-In couplings
- External G-thread with integral rubber seal
- Working pressure up to 350 bar (5000 PSI)

Plug-In couplings with external G-thread with integral rubber seal in sizes 1/4" up to 1"



Couplings - Series 831

Metric (ISO 6149-3)

- Plug-In couplings
- Metric (ISO 6149-3)
- Working pressure up to 350 bar (5000 PSI)

Plug-In couplings with external metric thread (ISO 6149 - 3) in sizes 1/4" up to 3/4"



Swivel - Serie 860

Swivel

- Plug-In swivel couplings
- External G-thread with internal rubber seal
- Working pressure up to 350 bar (5000 PSI)
- Swivel freely

Plug-In swivel couplings with external G-thread with internal rubber seal in sizes 3/8" up to 1"



Cartridge - Series 800

Plug-In Cartridge

- Plug-In Cartridge
- Working Pressure up to 350 bar (5075 PSI)

Series 800 features Plug-In Cartridge in sizes 1/4" to 3/4"



WEO Plug-In Cartridge

Hydraulic Fitting Technology – Made Easy and Cost-Effective

WEO plug-in cartridge is easily integrated into hydraulic components without interfering with the performance or quality. The innovative cartridge cuts space requirements even more by eliminating the need for adapters or female fittings – just Plug-In!

WEO Plug-In Cartridge opens up new opportunities where ever you are in the manufacturing chain. Whether you supply the component or the finished equipment, the Cartridge gives you great opportunities to supply an "easy-to-install, easy-to-service" component or machine. Integrating the fitting into the component in an early stage saves time and money every step of the way. No more sub-assemblies or re-tightening of hard to reach screw-fittings or time-consuming leakage tests. Can you think of a better way to support your customer?



High-Pressure Hydraulic Products

Combining top class technology, safety focus and responsiveness to stay one step ahead

CEJN has provided the world with top quality products for more than four decades. Our high-pressure experience shows that extreme pressures require extreme safety and that is why we put our finished product through extensive testing before reaching the customer. Whether the application is nuclear, subsea, wind power, oil, gas or turbine CEJN is committed to meet the ever-changing requirement. Our wide range of high-pressure couplings and hoses includes just what you need for a smooth and safe work environment with pressures of up to 300 MPa (43 500 PSI).

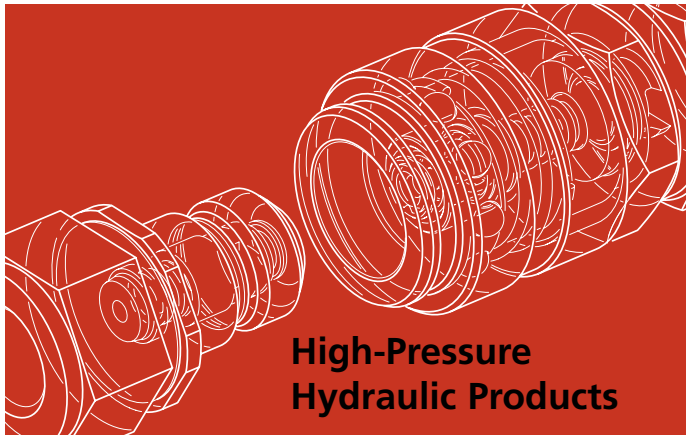
HIGH PRESSURE HOSES – PRODUCED TO YOUR SPECIFIC REQUIREMENTS

To ensure safety and facilitate work, CEJN offers a wide range of pre-assembled hose kits pressure tested and ready to use. The many hoses, all with different pressure ratings, are a perfect choice for most applications. Each assembled kit is cut to your preferred length, fitted with one of our large range of fittings and high pressure couplings. Our toughest hose has a maximum pressure up to 300 MPa (43 500 PSI). If CEJN can't do it nobody can.

SIMPLIFYING SIMULTANEOUS CONNECTIONS

In 2011 CEJN launched its new 116 T-connection, the reason, facilitating the work of bolt tensioners by replacing up to 13 components with just one. It is offered in six different versions and ready to use on arrival as a complete, including leak testing, performed by us. CEJN -always staying one step ahead.





High-Pressure Hydraulic Products

Series 115

100 MPa

- Compact design
- Unique sealing design
- Non-drip on connection and disconnection
- Dust caps included as standard
- Nipple with hose rupture valve available
- Coupling with extra safety ring available



DN 2.5 mm (3/32"). Flow capacity of 6.0 l/min (1.32 GPM uk). Max working pressure 100 MPa. Made of hardened zinc chromate plated steel.

Series 115

Flat Face 80 MPa

- Flat-face design
- Non-drip on connection and disconnection
- Dust caps included as standard
- One-hand operated
- Automatic safety locking device
- Light weight design with an aluminum back-part
- Connects with nipple series 115 standard



DN 2.5 mm (3/32"). Flow capacity of 5.3 l/min (1.2 GPM UK). Max working pressure 80 MPa. Made of hardened zinc chromate plated steel/aluminum.

Series 116

150 MPa

- High working pressure
- Compact design
- Unique sealing design
- Non-drip on connection and disconnection
- Dust caps included as standard
- Nipple without valve available
- Coupling with extra safety ring available



DN 2.5 mm (3/32"). Flow capacity of 6.0 l/min (1.3 GPM UK). Max working pressure 150 MPa. Made of hardened zinc chromate plated steel.

Series 116

T-Connection 150 MPa

- One-piece design
- Lightweight, compact
- Cost-effective

Series 116 T-Connection is a light-weight, one-piece coupling and nipple combination for making serial connections on high-pressure hydraulic tools, such as bolt tensioners and cylinders.



Series 116

Flat Face 150 MPa

- Flat-face design
- Non-drip on connection and disconnection
- Dust caps included as standard
- One-hand operated
- Automatic safety locking device
- Connects with nipple series 116 standard



DN 2.5 mm (3/32"). Flow capacity of 5.3 l/min (1.16 GPM UK). Max working pressure 150 MPa. Made of hardened zinc chromate plated steel.

Series 117

100 MPa

- Compact design
- Unique sealing design
- Non-drip on connection and disconnection
- Dust caps included as standard
- Coupling with extra safety ring available

DN 2.5 mm (3/32"). Flow capacity of 6.0 l/min (1.3 GPM uk). Max working pressure 100 MPa. Made of hardened zinc chromate plated steel.



Series 125

200 MPa

- High working pressure
- Compact design
- Unique sealing design
- Non-drip on connection and disconnection
- Dust caps included as standard
- Nipple without valve available

DN 2.5 mm (3/32"). Flow capacity of 5.8 l/min (1.3 GPM uk). Max working pressure 200 MPa. Made of hardened zinc chromate plated steel.



Series 125

250 MPa

- High working pressure
- Compact design
- Unique sealing design
- Non-drip on connection and disconnection
- Dust caps included as standard
- Nipple without valve available

DN 2.5 mm (3/32"). Flow capacity of 5.8 l/min (1.3 GPM uk). Max working pressure 250 MPa. Made of hardened zinc chromate plated steel.



Series 135

300 MPa

- Extremely high working pressure
- Non-drip on connection and disconnection
- Built-in safety device to avoid unintentional disconnection
- High safety factor
- Individual pressure tested up to max. working pressure before delivery
- Dust caps included as standard

DN 2.5 mm (3/32"). Flow capacity of 4.6 l/min (1.0 GPM uk). Max working pressure 300 MPa. Made of hardened black finished steel.



Series 218

100 MPa

- Small external dimensions
- Extremely high-flow capacity
- High working pressure
- Compact design
- Unique sealing design
- Non-drip on connection and disconnection
- Built-in safety device to avoid unintentional disconnection
- Dust caps included as standard

DN 4.5 mm (11/64"). Flow capacity of 15 l/min (3.3 GPM UK). Max working pressure 100 MPa. Made of hardened zinc chromate plated steel.



Series 230

DN 5.0

- High-flow capacity
- Possible to connect under pressure
- Steel dust caps available

DN 5.0 mm (1/4"). Flow capacity of 16.1 l/min (3.5 GPM UK). Max working pressure 70 MPa. Made of zinc plated steel. Screw-to-connect couplings.



High-Pressure Hose

- Maintained flexibility through entire service life
- Low volumetric expansion
- Kink-resistant steel-reinforced construction

A spiralized steel reinforced polymer hose with ultra-high working pressure. Its low volumetric expansion gives fast response time in hydraulic systems while the smooth inner bores provide a minimized pressure drop. Working pressure of 70 MPa.



70 MPa (DN 6) - Inner tube of polyamide (PA), 2 spiral layers of high tensile steel wire, 2 open spiral synthetic fibre, outer sheath of polyurethane (PUR)

70 MPa (DN 10) - Inner tube of Polyamide (PA12) Two spiral layers of high tensile steel wire, one braided layer of steel wire. Outer sheath of polyurethane (PUR)

72 MPa (DN 6) - Inner tube of Polyamide (PA12) Two spiral layers and two open spiral layers of high tensile steel wire. Outer sheath of polyurethane (PUR)

100 MPa (DN 6) - Inner tube of polyamide (PA), 4 layers of spiral wound steel wire, outer sheath of polyurethane (PUR)

180 MPa (DN 5) - Inner tube of polyoxymethylene (POM), 4 spiral layers of high tensile steel wire, outer sheath of polyimide (PA)

250 MPa (DN 5) - Inner tube of polyoxymethylene (POM), 6 spiral layers of high tensile steel wire, outer sheath of polyimide (PA)

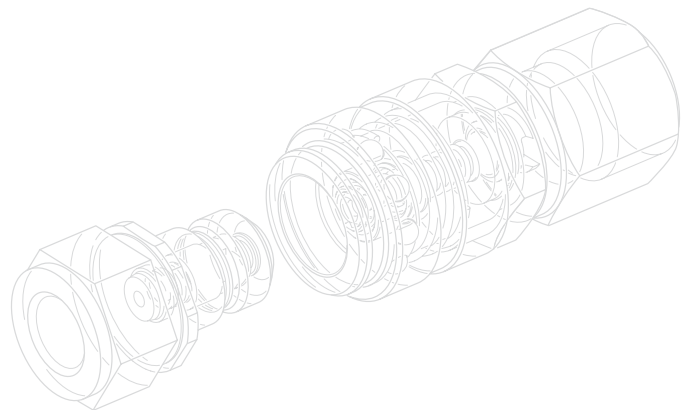
300 MPa (DN 4) - Inner tube of polyoxymethylene (POM), 6 spiral layers of high tensile steel wire, outer sheath of polyimide (PA)

Series 230

DN 7.0

- High-flow capacity
- Possible to connect under pressure
- Steel dust caps available

DN 7.0 mm (3/8"). Flow capacity of 21.2 l/min (4.7 GPM UK). Max working pressure 70 MPa. Made of zinc plated steel. Screw-to-connect couplings.



950 High-Pressure Hydraulic Adapters

- Extensive range of connections and threads available
- Durable design
- Several seal options available

CEJN provides an extensive range of high-pressure hydraulic adapters suitable for most couplings and hoses. All adapters are manufactured of black-zinc plated steel. Working pressure varies between 100 MPa and 300 MPa, see product table for data on respective adapters.



950 High-Pressure Seals

up to 150 MPa

- Tredo seals in sizes 1/8", 1/4", 3/8"
- High strength seal available
- USIT rings
- Copper washer

CEJN's high-pressure range includes several rubber metal seals designed to complement the high-pressure hydraulic couplings and nipples. Max working pressure range from 100 to 150 MPa.



950 CEJN Porting Blocks

300 MPa

- Five different blocks available
- 2-, 3-, and 5-way versions
- Durable design

CEJN's porting blocks make it possible to utilise/connect several hydraulic lines from a single pump to numerous tools as well as the possibility of connecting a pressure gauge. The blocks are available in five different sizes and designs with a varying number of ports.

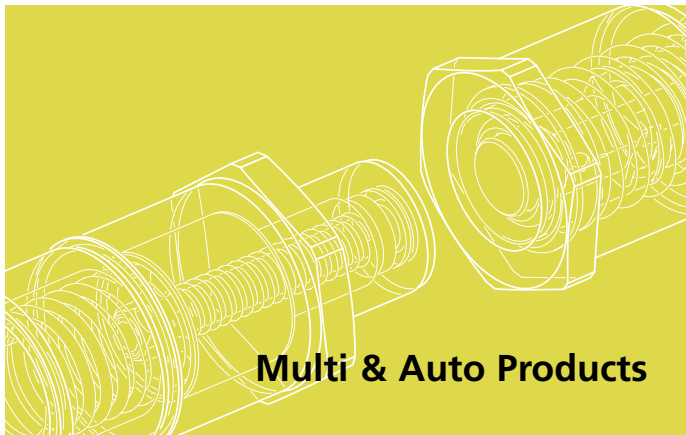


940 CEJN Pressure Gauges

up to 200 MPa

- Available in three sizes; Ø 63 mm, Ø 100 mm, Ø 150 mm
- Max scale from 1000 bar (14 500 PSI) to 2060 bar (29 870 PSI)
- Durable design
- Available with bottom connection or for panel mounting

Bottom and panel mounted pressure gauges in models up to 2000 bar (200 MPa). All models are glycerine filled for improved performance and long life. The gauges are made of stainless steel and feature high accuracy and a long service life.



Auto-Couplings Hydraulics

Black finished steel

- Minimizes downtime
- For a wide variety of media
- Non-Drip design

- Series 915 - DN 3
- Series 925 - DN 6
- Series 945 - DN 8
- Series 965 - DN 11
- Series 975 - DN 15
- Series 985 - DN 19



Auto-Couplings Pneumatics

Brass, nickel plated

- Self-sealing couplings
- Generous misalignment capability
- Easy installation

- Series 961 - DN 2.5
- Series 971 - DN 5
- Series 981 - DN 10



Multi-Snap

Chrome plated brass

- Easy to connect and disconnect
- No leakage
- High flow capacity

- Multi-Snap - DN 6.2
- Multi-Snap - DN 8.9





Multi & Auto Products

Complete multiple coupling systems for mold cooling applications

At CEJN we know time is money and that delays in production need to be eliminated, this is why we invented our Multi Auto system. CEJN's Multi Auto systems are the choice if you want to avoid downtime in machines due to connection and disconnection, our range allows connection and disconnection under full working pressure, keeping your production performing at all times.

GREATER FLEXIBILITY

CEJN's automation couplings for hydraulics have a flush-face, non-drip design for a leak free performance. Its unique patented design allows connection and disconnection to industrial automations with working pressures up to 300 bar (4350 PSI), making it the key to reducing costly downtime.

AUTO COUPLINGS

Our auto-couplings for compressed air proves to the industry that minimizing tool change has become our specialty. The couplings are self-sealing engaging with or without nipples. It is easy to install and offers qualities such as generous misalignment capability and reduced distance to connection. Features decreasing downtime and increasing productivity.

TROUBLE FREE PERFORMANCE WITH MULTI-SNAP

CEJN Multi-Snap is the complete multiple coupling system for mold cooling applications. Featuring up to eight couplings and nipples in the same manifold it guarantees that the cooling system is always correctly connected. The patented valve mechanism provides a nearly unobstructed flow and when disconnected you are virtually left with no leakage due to the self-sealing coupling and nipples. All these great advantages will guarantee you a long service life.



The Global
Quick Connect Specialist

